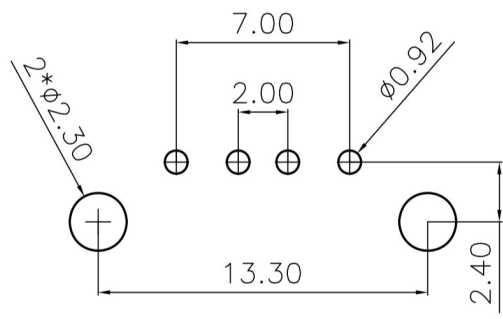
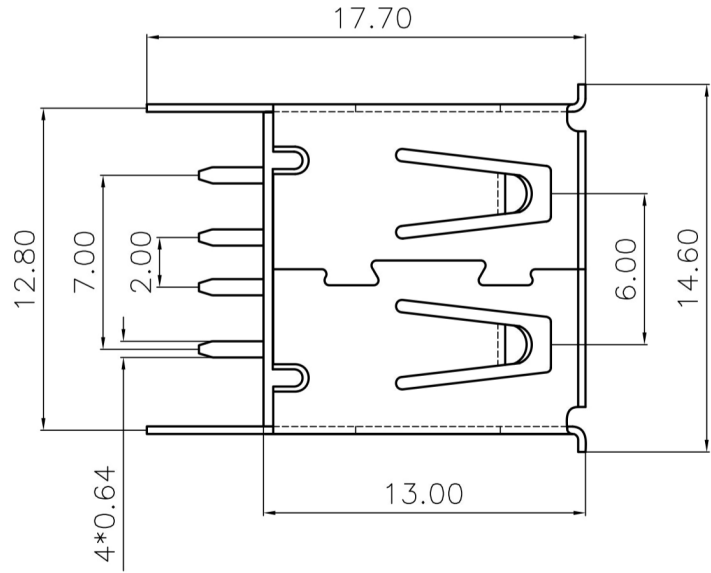
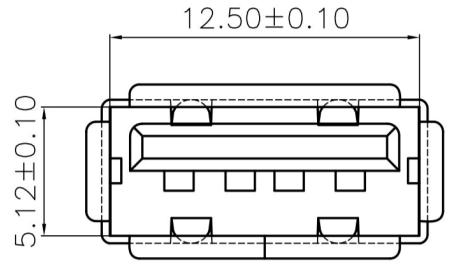
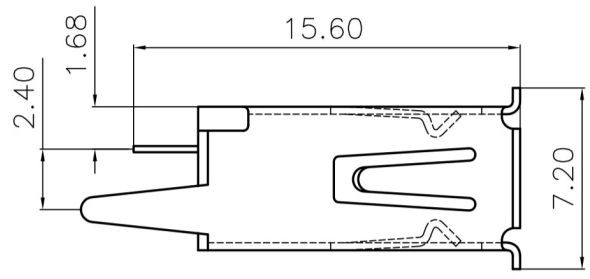


# Kinghelm®

| REV. | ECN.NO. | APPD. |
|------|---------|-------|
| A    | /       | LXQ   |

**NOTES:**

- 1.MATERIAL:
  - 1.1 Housing:thermoplastic plastics
  - 1.2 terminals:Copper Alloy  
Gold plated in contact area  
Tin plated in termination  
Nickel Plated overall
  - 1.3 Shell:Steel&Copper Alloy  
Nickel Plated overall
- 2.ELECTRICAL CHARACTERISTICS:
  - 2.1 Rating Current :1.5 Ampere
  - 2.2 Rating Voltage :30 V Max
  - 2.3 Contact Resistance:30 Milli ohms
  - 2.4 Insulation Resistance:1000 Mega ohms Min.
- 3.MECHANICAL CHARACTERISTICS:
  - 3.1 Connector Mating force: 35N MAX(3.57Kgf)
  - 3.2 Connector Unmating force:10N min(1.02Kgf)
  - 3.3 Durability:1500Cycles.
- 4.ENVIRONMENT CHARACTERISTICS:
  - 4.1 Operating temperature:-0°C to +50°C
  - 4.2 Storage temperature:-20°C to +60°C



**PCB.LAYOUT**

U223-011X-XXX0XR

- |                              |                   |
|------------------------------|-------------------|
| 1:Iron alloy<br>Ni plating   | 1:tray            |
| 5:Copper alloy<br>Ni plating | 2:Tube            |
| 1:Au 1u"                     | 8:Tape&Reel       |
| 3:Au 3u"                     | 9:Tape&Reel+Mylar |
| 5:Au 5u"                     | 1:Black           |
| 7:Au 10u'                    | 2:White           |
| 8:Au 15u"                    | 3.Beige           |
| A:Au 30u"                    | 4.Pure White      |
|                              | 1:PA66            |
|                              | 2:PBT             |
|                              | 6:LCP             |

|                                      |              |  |  |                  |        |               |
|--------------------------------------|--------------|--|--|------------------|--------|---------------|
| TOLERANCE UNLESS OTHERWISE SPECIFIED |              | SHENZHEN KINGHELM ELECTRONIC CO., LTD. |  | WWW. BDS666. COM |        |               |
| .XXX ±0.10                           | .XX ±0.20    | .X ±0.30                               | .X ±0.20                                   | KH-AF180ZJ-13-JB |        | 0755-83044319 |
| APPROVED                             |              | PART NAME:                             | USB AF 180-dgree dip 15.0 terminal bending |                  |        |               |
| CHECKED                              |              | PART No:                               | U223-011X-XXX0XR                           |                  |        | C             |
| DRAWN                                | leixianqiang | PROJECTION:                            | UNIT:                                      | SCALE            | SHEET  | REV.          |
| DATE                                 | 2015.03.18   |  | mm   | 1:1              | 1 OF 1 | A             |