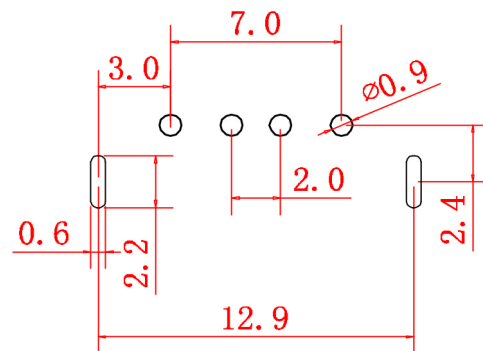
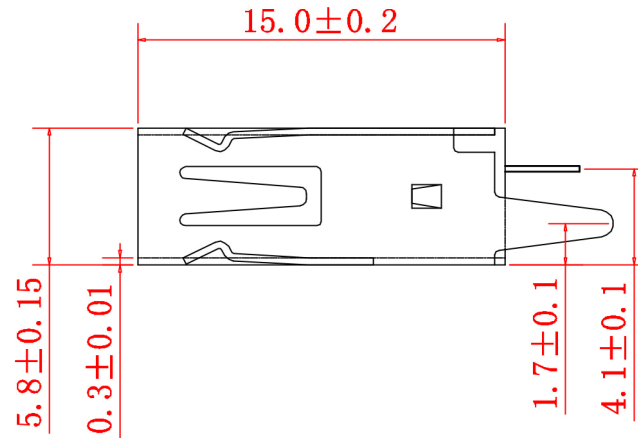
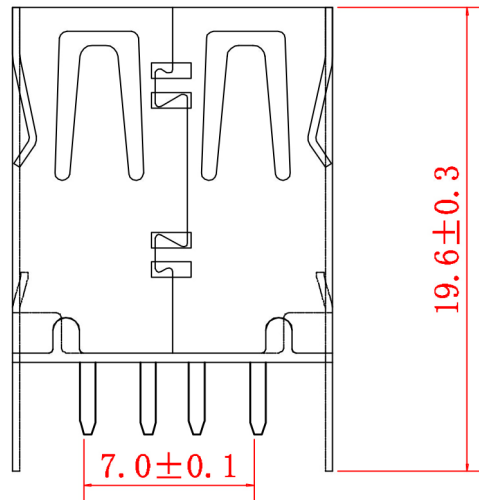
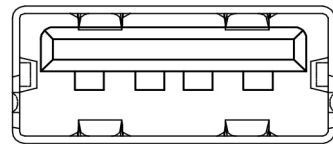
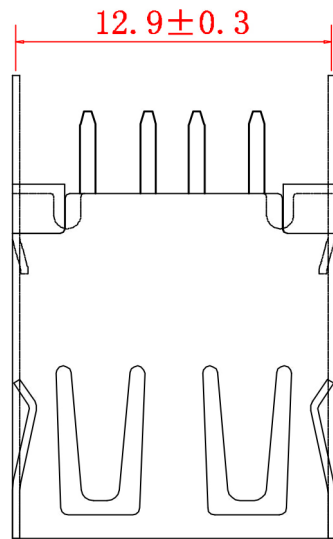


Kinghelm®



MAPX	MODIFICATION	DATE

Specifications:

Electrical:

1.Contact Resistance:

30 milliohms MAX

2.Dielectric With Standing Voltage:

500 V AC AT Sea Level

3.Insulation Resistance:

1000 MEGA ohms MIN

Mechanical :

1.Mating Force:

35 N MAX 35 N

2.Unmating Force:

8 N MIN 8 N

Material:

1.PBT.

2.Contact: C2680

3.Shell: SPCC

Finish:

1.Contact: Plated Gold in Mating Area: Tin/Lead On Solder Tolls.

2.Shell:Nickel Plating.

PROUCT CHART DGW TOLERANCE TABLE				SHENZHEN KINGHELM ELECTRONIC CO., LTD.			WWW.BDS666.COM			
X.	±0.30	X°	±6°	KH-AF180ZJ-15			0755-83044319			
.X	±0.25	.X°	±3°	UNIT	MM	CHARTING	PRODUCT PART NO.			
.XX	±0.20	.XX°	±2°	SCALE	1:1	CHED	PRODUCT NO.		15.0 QS straight - 180° fully iron-clad straight edge	
The unmarked tolerance shall be calculated according to the general standard.				DATE	2014/4/23	APPO	VIEW		VER	AO