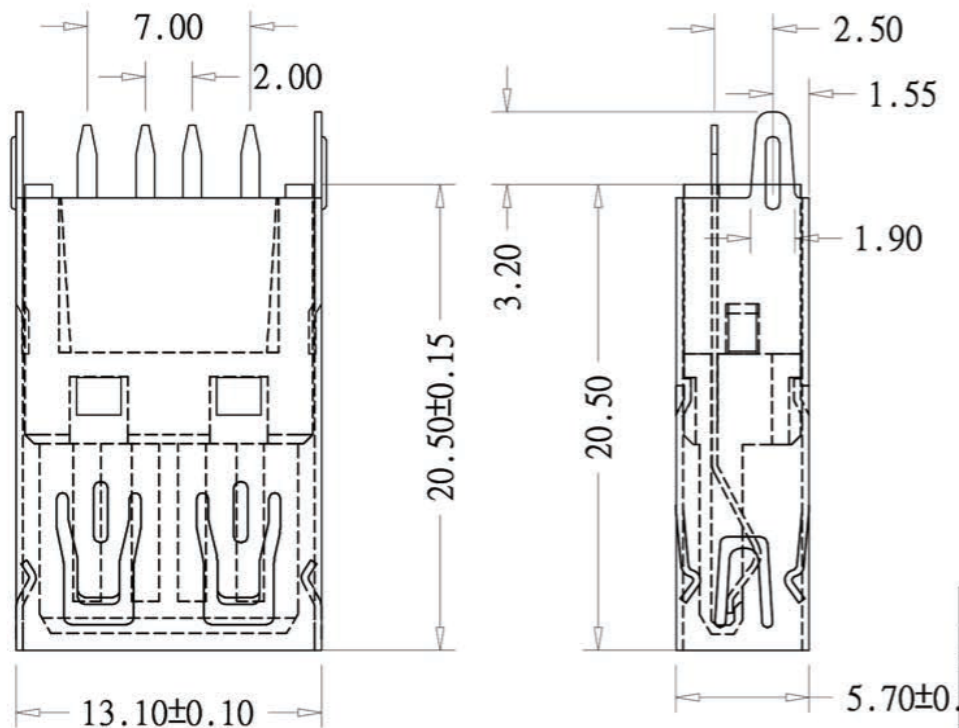
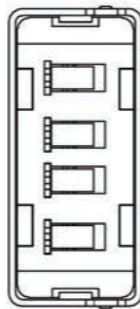
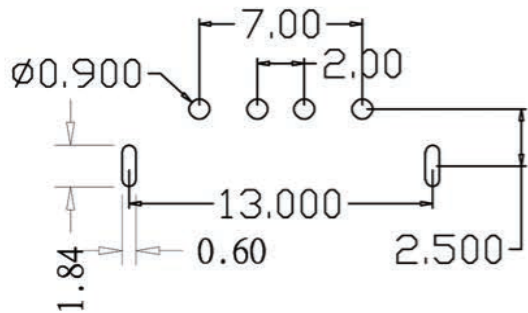


# Kinghelm®

??	??	??	??	??	??
Mapx	Modification	Date	Draw	Approve	



**Specifications:**

**Electrical:**

- 1.Current Rating:  
1.5A/contact terminal
- 2.Voltage Rating:  
30V DC
- 3.Contact Resistance:  
30 milliohms MAX
- 4.Dielectric withstanding Voltage:  
500 V AC AT Sea Level
- 5.Insulation Resistance:  
1000MEGA ohms MIN

**Mechanical:**

- 1.Connector Mate and Unmated Force  
Mate force:3.57kgf(MAX)  
Unmated force:1.02kgf(MIN)
- 2.Terminal Retention  
1.0kgf(MIN)

**Material**

- 1.Housing:  
Hing Temperature Thermoplastics,
- 2.Contact:Copper Alloy C2680
- 3.Shell: Copper Alloy C2680/SPCC

**Finish:**

- 1.Contact: Plated Gold in Mating Area: Tin/Lead On Solder Tolls.  
50U "MIN" Tin is plated around the terminal, Gold-plated area 100-200U".
- 2.Shell:  
80U "(MIN) Tin is plated around the copper casing.

**Nickel Plating**

MANUFACTURE DWG	SHENZHEN KINGHELM ELECTRONIC CO., LTD.				WWW.BDS666.COM			
TOLERANCE TABLE	KH-AF180ZJ-20.5				0755-83044319			
.X±0.15	X.±5°	DATE	UNIT	MM	CHARTING	DWG NO.		
.XX±0.05	.X±2°	CHECKED	SCALE	1:1	DESIGN	Product Name	Short Receptacle	
.XXX±0.02	.XX±1°	APPROVAL	VIEW			VER	SHEET	