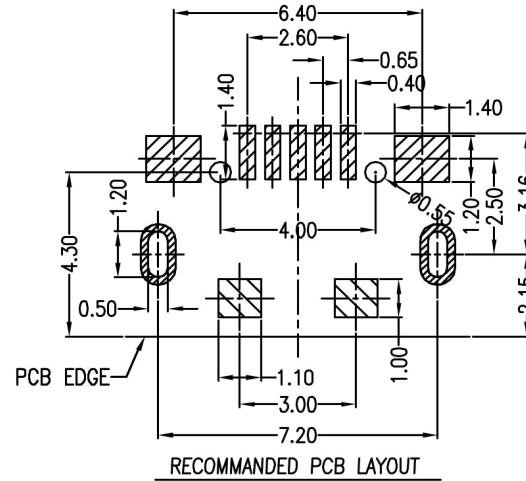
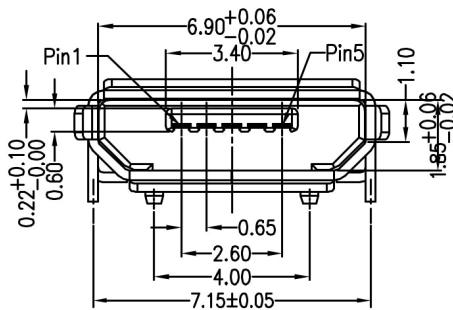
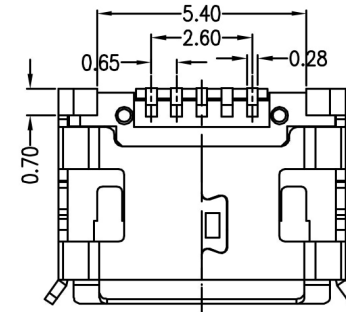
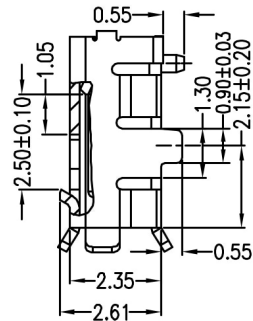
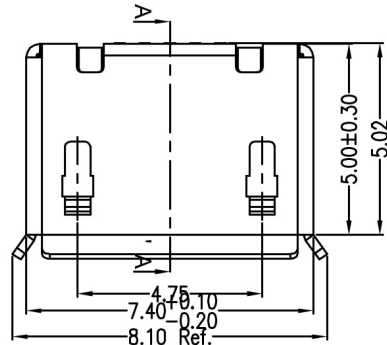
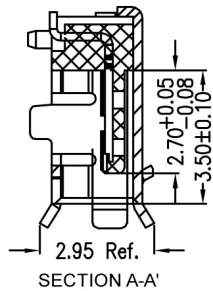
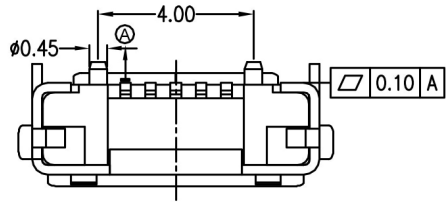


REV.	ECN NO	LOCATIONS	DESCRIPTION	DATE



**Note:**

**1.Material:**

- 1.1 Housing: High temperature thermoplastic with g.f,UL94v-0
- 1.2 Contact: copper alloy,t=0.20mm
- 1.3 Shell: copper alloy,t=0.25mm

**2.Specification:**

- 2.1 Current rating: 1 A Max.
- 2.2 Dielectric withstanding voltage: 100 V(ac) for 1 min.
- 2.3 Contact resistance: 50 mW Max.
- 2.4 Insulation resistance: 100 MW Min.
- 2.5 Total mating force: 3.57 Kgf Max.
- 2.6 Total unmating force: 1.0 Kgf Min.0.81~2.05 Kgf Min.after 10000 insertion/extraction cycles
- 2.7 Temperature range: -30°C~80°C

**A 01 S B X X X X X X X 1-047**  
 ① ② ③ ④ ⑤ ⑥ ⑦ ⑧ ⑨ ⑩ ⑪ ⑫ ⑬

1. Part No.	A:Finished product	5.Housing Electroplating	0:鍍銀;1: Ni100";2:鍍金100";3:鍍金100" (鍍);4:鍍鍍"
2.Product series	01:micro usb spin	7.Terminal Material	4:05191R-EH 2:02880R-EH
3.Product category	s:Receptacle	8.Terminal Plating	0:鍍銀;1:鍍金100";2:鍍金100";3:鍍金100" (鍍);4:鍍鍍"
4.Product type	B:B TYPE	9.Body material	1:LDP
5.Housing Material	1:C2680R-H	10.Body color	B:Black W:White
		11.Packaging method	
		12.Type of lower plate	
		13.Detail flow	017 鍍銀 USB 5S B TYPE 國際全標(待角型)型號
		1.Bolster tube 2.Tape winding 3.PC winding	
		1:DIP	

PART NO: A01SB1X3X1BX1-047		MATERIAL: SEE NOTE	SHENZHEN KINGHELM ELECTRONIC CO., LTD.	WWW.BDS666.COM
MODEL NO: XX		FINISH: SEE NOTE	Model: (H-MICRO-SMT.J7.2.5P)	0755-83044319
UNIT: MM	SIZE: A4	COLOR: SEE NOTE	TITLE: Housing DIP 7.2 with guide position and columns	
TOLERANCE UNSPECIFIED		DR: 夏友紅	DWG NO: A047	
.x	0.25	CHK:	REV: A	
.xx	0.20	APP:	SCALE: 5:1	
.xxx	0.15		DATE: 2012.05.21	
Ang.	2'			