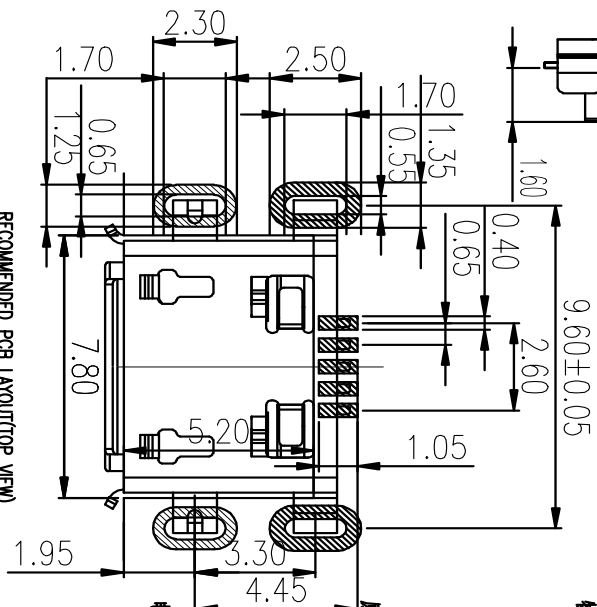


NOTES:
 1. According to the functionality requirements, the surface of the finished product shall be free of terminal crushing and plastic burrs.
 2. The inspection shall lay emphasis on the dimension marked with "▲".
 3. If the dimensional tolerance is unspecified, the free tolerance shall prevail.
 4. The flatness of finished terminals must be 100% tested.
 5. Seam strength: 1.0kgf/min



RECOMMENDED PCB LAYOUT(TOP VIEW)
 GENERAL TOLERANCES:±0.05

特殊材料 Specifications:
电气特性 Electrical:

- 额定电流: Current Rating 1.8A/contact terminal
- 额定电压: Voltage Rating 30V DC
- 接触电阻: Contact Resistance 50 milliohms MAX
- 耐电压: Dielectric Withstanding Voltage: 300 V AC AT Sea Level
- 绝缘电阻: Insulation Resistance: 100MEGA ohms MIN

物理性能 Mechanical:

- 插拔力: Connector Mate and Umate Force Mate force:3.0kgf(MAX) Umate force:0.7kgf(MIN)
- 机械寿命: 5000次

原材料 Material:

- 塑胶 Housing: Hing Temperature Thermoplastic UI 94V-0 LCP Black
 - 端子套管 C5191 EH
 - 外壳 Shell: H65 EH
- 电镀 Finish:**
 1. 端子 Contact: Plated Gold in Mating Area;
 Tin Dn Solder Talls
 2. 外壳 Shell: Nickel Plating (电镀非自杀)

GENERAL TOLERANCES			公差		
公差	公差	公差	公差	公差	公差
±0.01	±0.02	±0.03	±0.01	±0.02	±0.03
X.XX	±0.05	±0.05	X.XX	±0.05	±0.05
X.X	±0.05	±0.10	X.X	±0.10	±0.12
X	±0.10	±0.15	X	±0.15	±0.20
角度	±0.5°	±1.0°	角度	±1.0°	±2.0°

品名	物料	规格	数量	备注
XXXXXXX	XXXXXXX			

品名	物料	规格	数量	备注
XXXXXXX	XXXXXXX			

比例 1:1
 单位 mm
 图号 KH-MICRO1.6CB-5PJ
 次数 1/1
 规格 0755-83044319