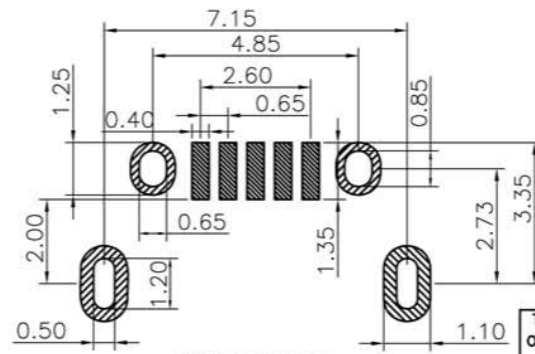
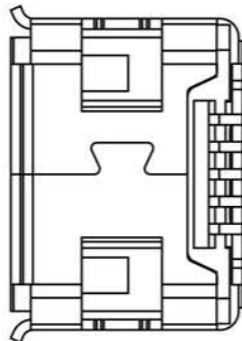
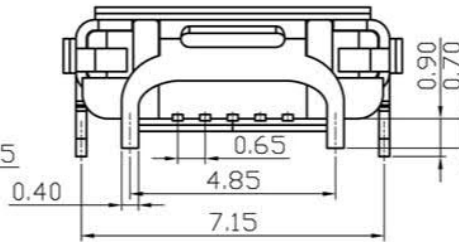
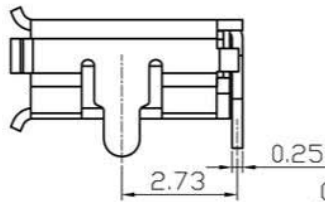
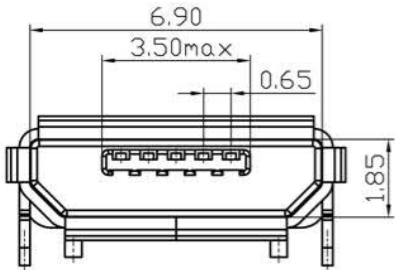
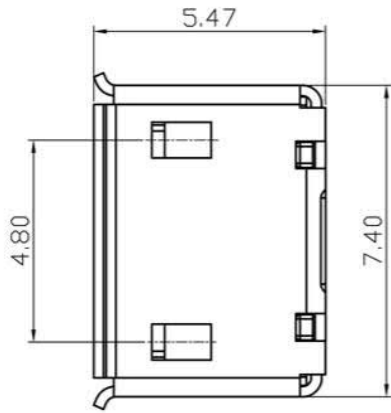
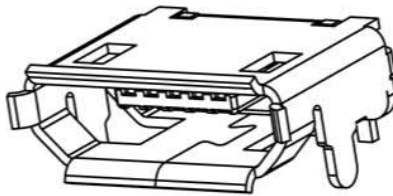


Kinghelm®

Model: KH-MICRO5P-JN

Remark:
 Mechanical Propertie:
 Contact Resistance:
 30milliohm(Max)
 Insulation Impedance:
 100 megohm(Min)
 Withstanding Voltage:
 100V AC 1minute
 Materials:
 Plastic:
 LCP
 Terminal:
 C2680
 Housing :
 C2680/SUS304
 Electroplating:
 Terminal:
 Fully Gold-plating lu"
 Housing :
 Tin-plated 40u"min



PCB LAYOUT

91-US01-XXX

- 91-US01-781: Stainless Steel ,Tin-plated
- 91-US01-782: Copper housing,Tin-plated

TOLERANCE UNLESS OTHERWISE SPECIFIED
.XXX ±0.10
.XX ±0.20
.X ±0.30
.X ±3°

PART NAME:	MICRO USB 5P/F With ox horns
	With curling 0.90 without columns
Part Number	SEE TABLE
Drawing Number	C

REV:	DESCRIPTION	REV BY	APPROVED	DATE	MATL:	SEE SPECIFICATION	APPROVED
					PROJECTION:	THIRD ANGLE PROJECTION	CHECKED
					UNIT:	SCALE	REV(NO)
					mm	1:1	A
						SHEET	DRAWN
						1 OF 1	DATE
							2013. 05. 13

SHENZHEN KINGHELM ELECTRONIC CO., LTD.	WWW. BDS666. COM
KH-MI CR05P-JN	0755-83044319