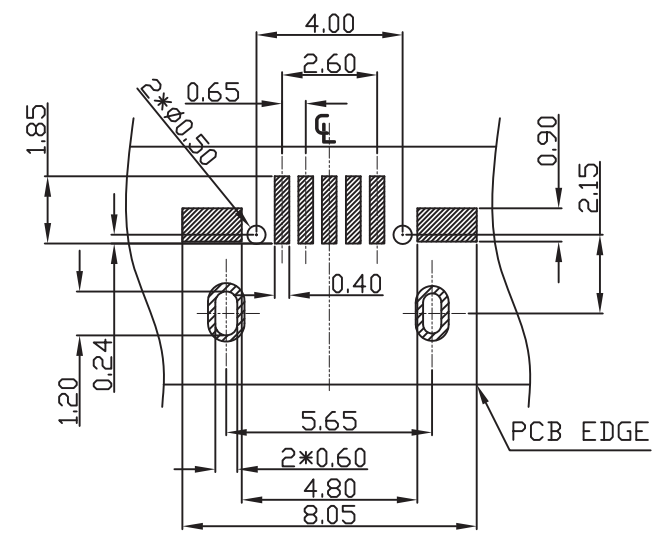
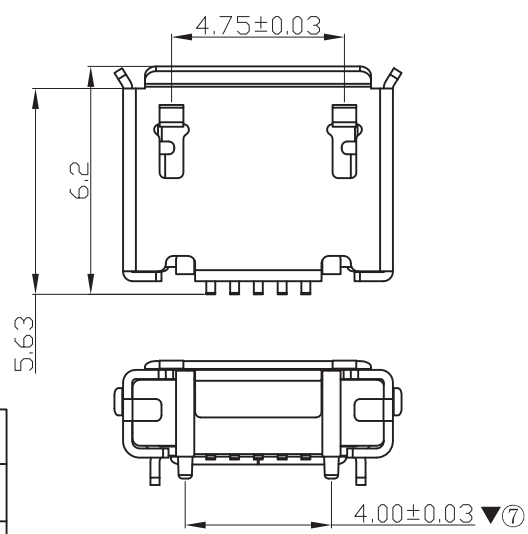
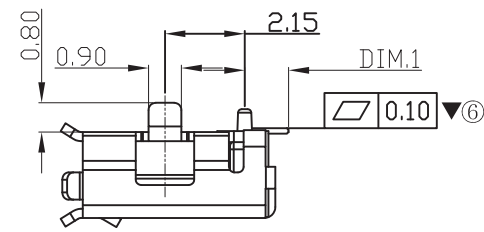
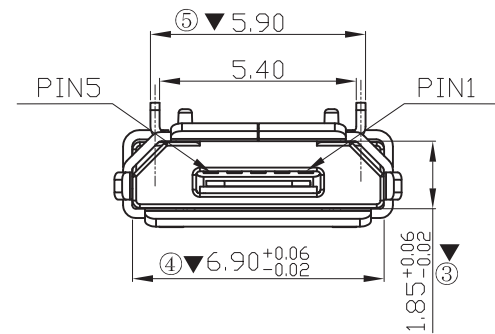
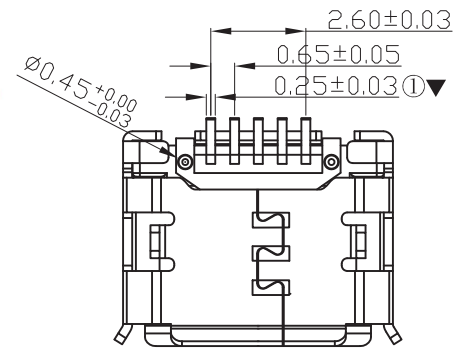


ROHS

**Kinghelm®**



RECOMMENDED P.C.B. LAYOUT  
TOLERANCE UNSPECIFIED ±0.05mm

Specification:  
 1.Electrical Characteristics:  
 Current rating: 1,5PIN 1.8A Max/2,3,4PIN 1A Max.  
 Dielectric withstanding voltage: 100 V(ac) for 1 min.  
 Insulation Resistance: 100 MΩ Minimum.  
 Contact Resistance: 30 mΩ Maximum.  
 2.Environmental:  
 Operating Temperature:-30°C~+80°C.  
 3.Mechanical Characteristics:  
 Total mating force: 3.57 Kgf Max.  
 Total unmating force: 1.0 Kgf Min.  
 4.Material:  
 Insulator: HI-Temp Plastic UL 94V-O Rated.  
 Contact: Copper Alloy(t=0.15mm).  
 Shell: Copper Alloy/c2680(t=0.20mm).

DIM.1	A	1.20
	B	1.00
	C	0.80

-TOLERANCES- UNLESS OTHERWISE SPECIFIED		SHENZHEN KINGHELM ELECTRONIC CO., LTD.		WWW.BDS666.COM		
		KH-MI CR05P-JZH		0755-83044319		
				TITLE: MICRO USB 5P 5.9前插后贴脚5.9卷边有柱		
		APPD:		PRODUCT NO:		
		A/0		X.X ±0.15		X.XX ±5.00°
		X.XX ±0.10		X.XX ±2.00°		
DATE	DR.BY	ECN.NO.	DESCRIPTION	MARK	VER.	
2017.10.17						

X.	±0.20	X.XXX	±0.020
X.X	±0.15	X.X°	±5.00°
X.XX	±0.10	X.XX°	±2.00°