

标记 REV. LTR.	日期 DATE	版别 REL.	变更内容 REVISION NOTES	签名 SIGN
-----------------	------------	------------	------------------------	------------

Kinghelm®

Specifications:

Electrical:

- Current Rating
1.0A/contact terminal
- Voltage Rating
30V DC
- Contact Resistance
50 milliohms MAX

Dielectric Withstanding Voltage:

300 V AC AT Sea Level

Insulation Resistance:

100MEGA ohms MIN

Mechanical:

Connector Mate and Unmate Force

Mate force:3.0kgf (MAX)

Unmate force:0.7kgf (MIN)

Terminal Retention

0.5kgf (MIN)

Material:

Housing:

High Temperature Thermoplastics,
UL 94V-0 LCP Black

Contact:Copper Alloy H65 EH

Shell: H 65

Finish:

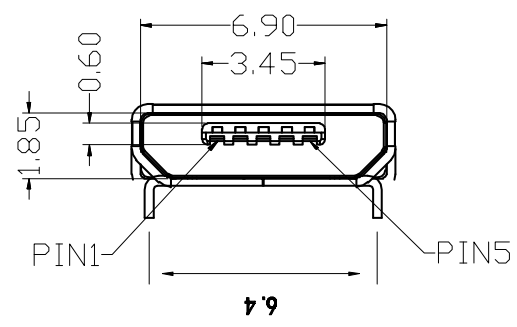
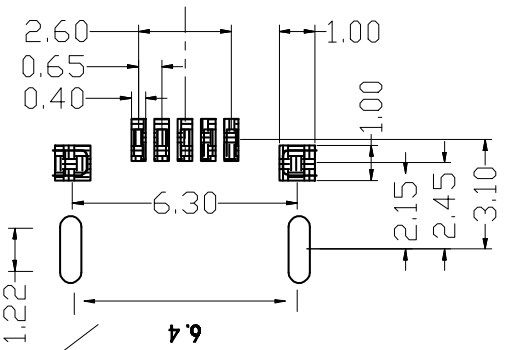
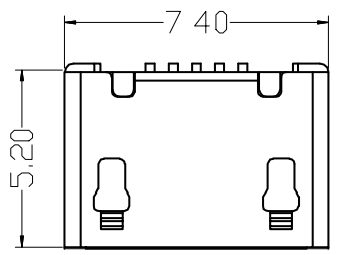
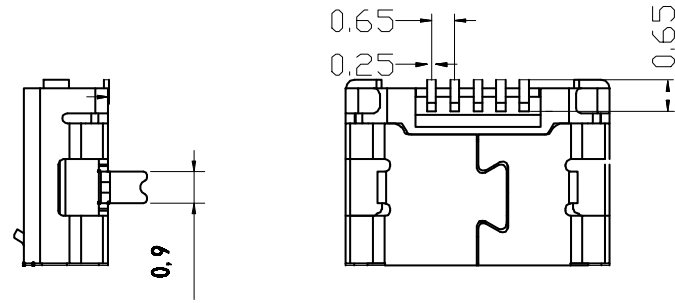
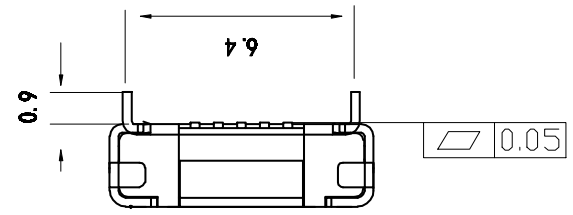
Contact: Plated Gold in Mating Area;

Tin On Solder Tails

Shell:

Nickel Plating

Can automatically load tin after passing through the furnace



PCB EDGE

RECOMMENDED PCB LAYOUT
TOLERANCE:±0.05

GENERAL TOLERANCES			
CALSS	I	II	III
X.XXX	±0.01	±0.02	±0.03
X.XX	±0.03	±0.05	±0.08
X.X	±0.05	±0.10	±0.12
X.	±0.10	±0.15	±0.20
ANGLE	±0.5°	±1.0°	±2.0°

TITLE	SHIR00 USB SS B TYPE	SHENZHEN KINGHELM ELECTRONIC CO., LTD.
PART. NO.	XXXXXXXX	WWW.BDS666.COM
REV. NO.		KH-MICRO6.4H-5P
REV. NAME		0755-83044319
SCALE	1:1	
UNIT	MM	
SHEET	1/1	FILE NAME

PLATED	
THROUGH	REV. A/0
MATERIAL	SCALE 1:1