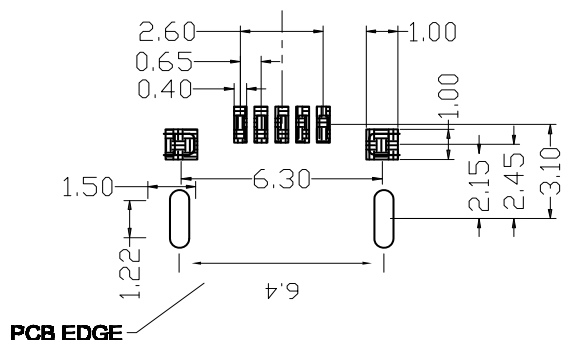
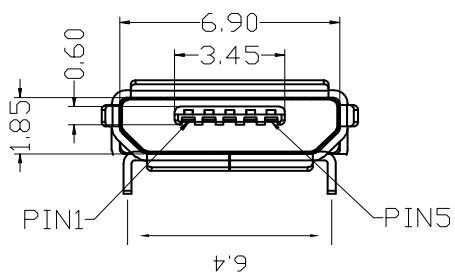
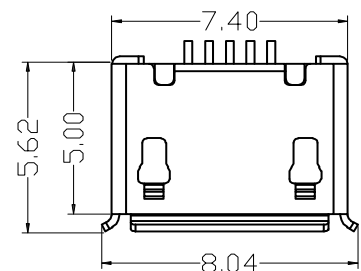
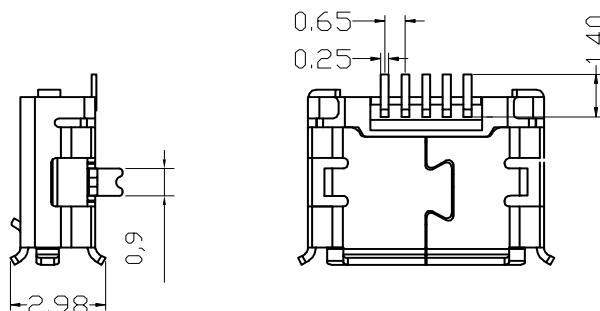
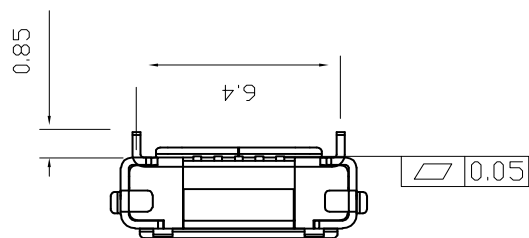


# Kinghelm®

REV.	DESCRIPTION	DRAWN/DATE	APPROVED/DATE



RECOMMENDED PCB LAYOUT  
TOLERANCE: ±0.05

## NOTES:

1. MATERIAL:
  - 1.1 HOUSING: THERMOPLASTIC FLAMMABILITY RATING UL94-0
  - 1.2 CONTACT: COPPERY ALLOY T=0.15MM
  - 1.3 SHELL: COPPERY ALLOY T=0.25MM
2. FINISH:
  - 2.1 CONTACT:
    - 3U" MIN, PLATED ON CONTACT AREA
    - G/F PLATING ON SOLDER TAIL AREA
    - 50~80U" NICKEL UNDERPLATING OVERALL
  - 2.2 SHELL:
    - 80~120U" MATTER TIN PLAINING ALL
    - 50~80U" NICKEL UNDERPLATING OVERALL
3. SPECIFICATION:
  - 3.1 CURRENT RATING: 0.5A(2.3.4CONTACT)/1.8A(1.5CONTACT) MAX.
  - 3.2 VOLTAGE: 30 VAC
  - 3.3 TEMPERATURE RANGE: -30°C~85°C
  - 3.4 CONTACT RESISTANCE: 30 MILLIONHM MAX.
  - 3.5 DIELECTRIC WITHSTANDING VOLTAGE: 250VAC R.M.S
  - 3.6 INSULATION RESISTANCE: 100 MEGOHMS MIN

GENERAL TOLERANCE	ANGLE TOLERANCE	DESIGN	DATE	SHENZHEN KINGHELM ELECTRONIC CO., LTD.		WWW.BDS666.COM
X. ±0.35	X' ±2.0°	ZQL		KH-MICRO6.4H-5PJ		0755-83044319
.X ±0.25	.X' ±1.0°	CHECK	DATE	FILE NAME(???)	MICRO USB 5PIN TYPE DIP SMT	
.XX ±0.15	.XX' ±0.5°	ZQL		PART NO(???)		
.XXX ±0.10		APPRO.	DATE	DRAWING NO(???)		
UNIT:mm	SCALE 1:1					REV. A0
A4	SHEET: 1 of 1					