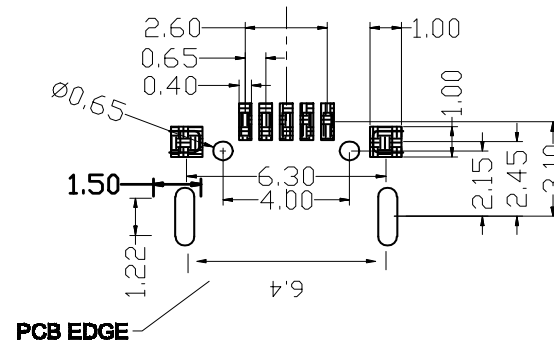
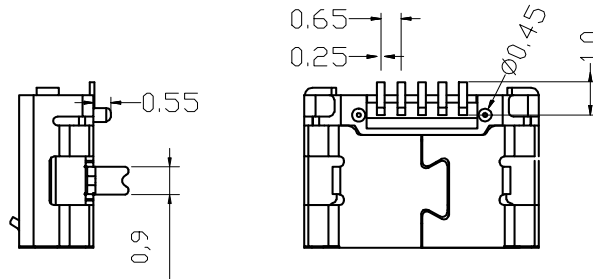
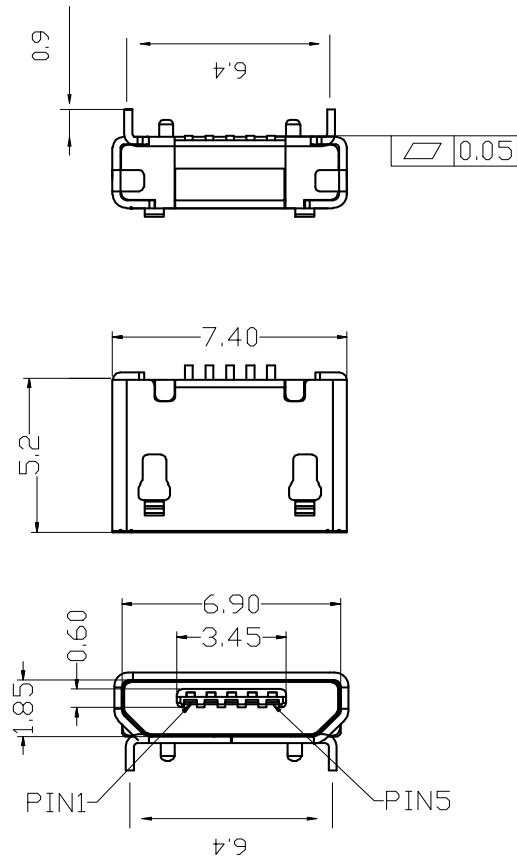


Kinghelm®

REV.	DESCRIPTION	DRAWN/DATE	APPROVED/DATE



RECOMMENDED PCB LAYOUT
TOLERANCE: ±0.05

NOTES:

- MATERIAL:
 - HOUSING:THERMOPLASTIC FLAMMABILITY RATING UL94-0
 - CONTACT:COPPERY ALLOY T=0.15MM
 - SHELL: COPPERY ALLOY T=0.25MM
- FINISH:
 - CONTACT:
 - 3U"MIN,PLATED ON CONTACT AREA
 - G/F PLATING ON SOLDER TAIL AREA
 - 50~80U" NICKEL UNDERPLATING OVERALL
 - SHELL:
 - 80~120U" MATTER TIN PLAINING ALL
 - 50~80U" NICKEL UNDERPLATING OVERALL
- SPECIFICATION:
 - CURRENT RATING:0.5A(2.3.4CONTACT)/1.8A (1.5CONTACT)MAX.
 - VOLTAGE:30 VAC
 - TEMPERATURE RANGE:-30°C~85°C
 - CONTACT RESISTANCE:30 MILLIONHM MAX.
 - DIELECTRIC WITHSTANDING VOLTAGE;250VAC R.M.S
 - INSULATION RESISTNACE:100 MEGOHMS MIN

GENERAL TOLERANCE	ANGLE TOLERANCE	DESIGN	DATE	SHENZHEN KINGHELM ELECTRONIC CO., LTD.	WWW.BDS666.COM
X. ±0.35	X' ±2.0'	ZQL		KH-MICRO6.4ZH-5P	0755-83044319
.X ±0.25	.X' ±1.0'	CHECK	DATE	FILE NAME(???)	MICRO USB 5PIN TYPE DIP SMT
.XX ±0.15	.XX' ±0.5'	ZQL		PART NO(???)	
.XXX ±0.10		APPRO.	DATE	DRAWING NO(???)	
UNIT:mm	SCALE 1:1				
A4	SHEET: 1 of 1				REV. A0