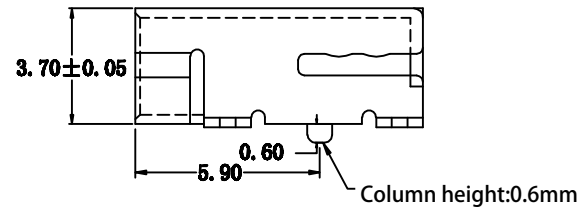
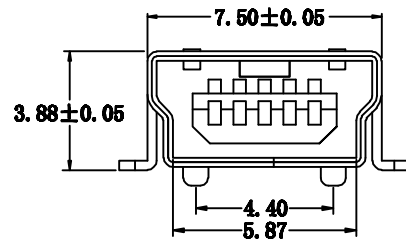
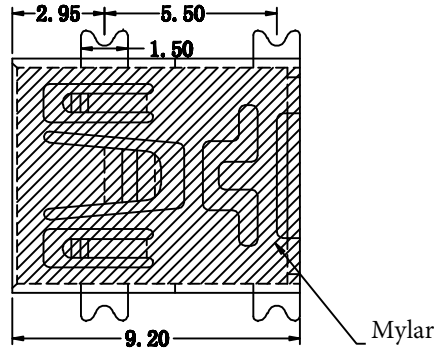


Kinghelm®

REV.	DESCRIPTION	DATE	APPD



Specifications:

Electrical:

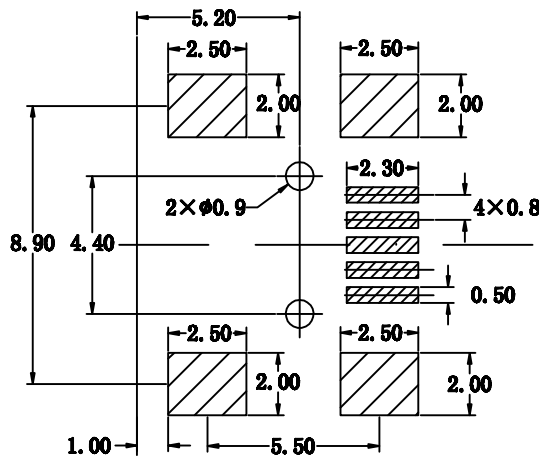
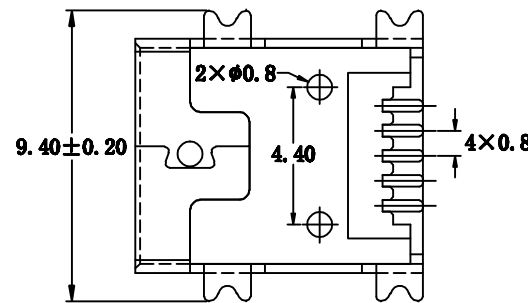
- Current Rating
1.0A/contact terminal
- Voltage Rating
30V DC
- Contact Resistance
50 milliohms MAX
- Dielectric Withstanding Voltage:
300 V AC AT Sea Level
- Insulation Resistance:
100MEGA ohms MIN

Raw material:

- Plastic cement:
High Temperature Thermoplastics,
LCP Black
- Contact: Copper Alloy C2680/C5191
- Shell: SPCC/Copper Alloy C2680

Electroplate:

- Contact: Plated Gold in Mating Area;
Tin On Solder Tails
- Shell:
Nickel Plating



RECOMMENDED PCB LAYOUT

SHENZHEN KINGHELM ELECTRONIC CO., LTD.		WWW.BDS666.COM	(SHEET)	1/1	(UNIT): MM
Model: KH-MINI-SMT-5P-Cu		0755-83044319	(REV)	A0	(SCALE) 1:1
(ITEM NO)	MINI USB 5P/F SMT TypeB (0.3T, 0.60.6 column)		(DATE)	2009. 11. 16	 TOLERANCE UNSPECIFIED I.X ±0.30 I.IX ±0.20 I.XXX ±0.10 I* ±5° I.I* ±2°
(PART NO)	PMBFB-X21D-XXX		(DESIGN)		
(DWG NO)	P-MBF-144(2B-1)		(CHECKED)		
			(APPROVED)		