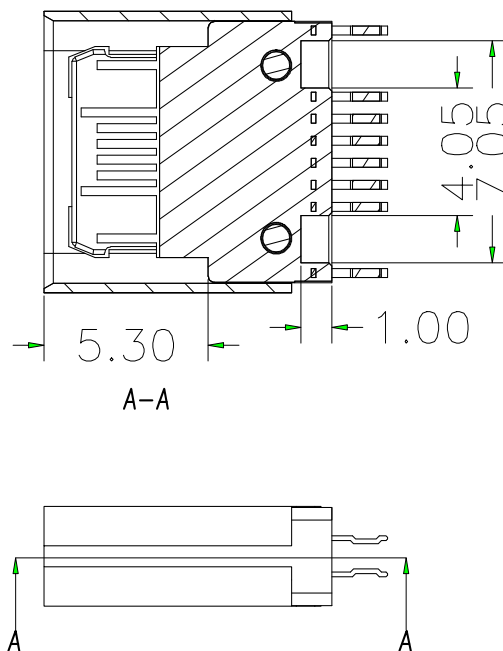
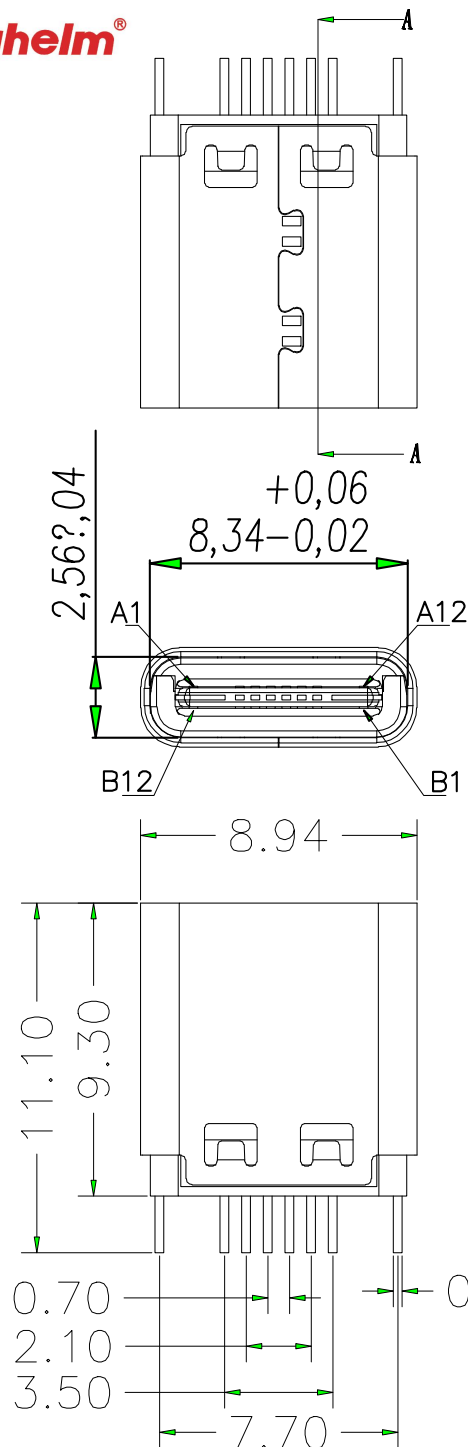


Kinghelm®

REV.	ECN NO OR DESCRIPTION	REVISED	DATE
AO	INITIAL RELEASE	KEN	15.09.08



A1	GND	B12	GND
A2		B11	
A3		B10	
A4	VBUS	B9	VBUS
A5	CC1	B8	SBU2
A6	DP1	B7	DN2
A7	DN1	B6	DP2
A8	SBU1	B5	CC2
A9	VBUS	B4	VBUS
A10		B3	
A11		B2	
A12	GND	B1	GND
PIN	SIGNAL NAME	PIN	SIGNAL NAME

NOTES:

SPECIFICATION:

1. CURRENT RATING: 5.0A MAX
2. VOLTAGE: 100 VAC
3. TEMPERATURE RANGE: -30 °C ~ 85 °C
4. CONTACT RESISTANCE: 40 MILLIONHM MAX
5. INSULATION RESISTANCE: 100 MEGOHMS MIN.
6. INSERTION FORCE : 5N~20N
7. UNMATING FORCE: 8N~20N
8. DURABILITY: 10,000 CYCLES

3	SHELL	STAINLESS STEEL	Ni Plated	1PCS
2	CONTACT	COPPER ALLOY	Au1u"/Ni Plated	1SET
1	HOUSING	HIGH TEMPERATURE PLASTIC	BLACK	1PCS
NO.	DESCRIPTION	MATERIAL	REMARKS	QTY

SHENZHEN KINGHELM ELECTRONIC CO., LTD.

WWW.BDS666.COM

0755-83044319

Model: KH-TYPE-C-JB.W-16P

UNLESS OTHERWISE SPECIFIED TOLERANCES

DECIMALS: ANGLES:
 X :±0.20 X :±3'
 X.X :±0.10 X.X :±'
 X.XX :±0.05

TITLE	USB C TYPE 3.1/F 16P JB		
DWN	KEN	15.09.08	PART-NO:SEE TABLE
CHKD		UNIT: mm	
APVD		SHEET:1 OF 1	SCALE:1/1

ENGINEERING COPY