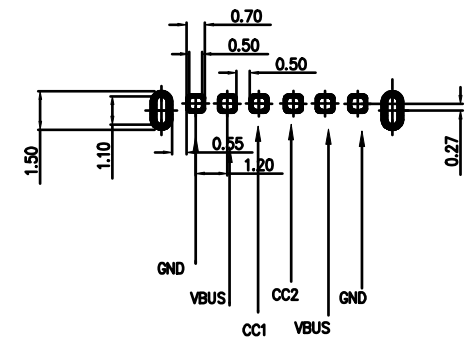
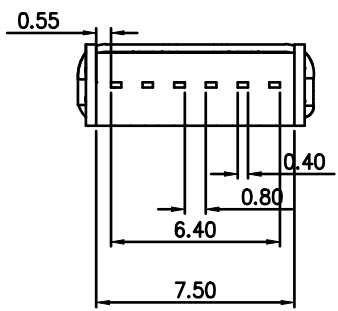
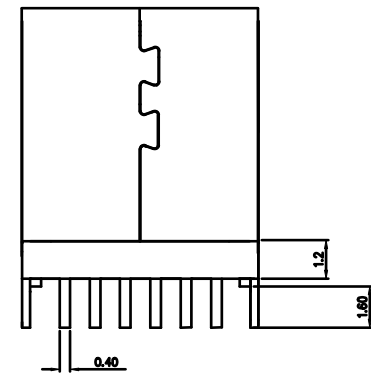
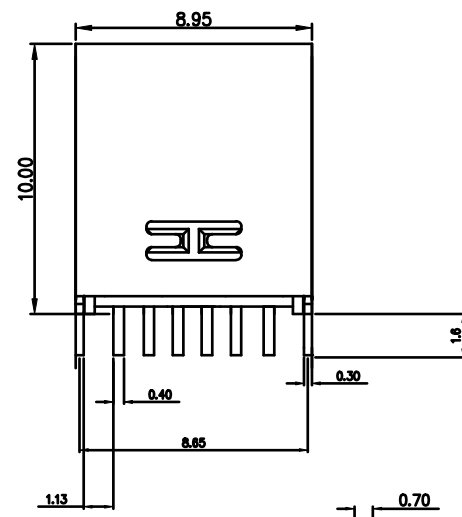
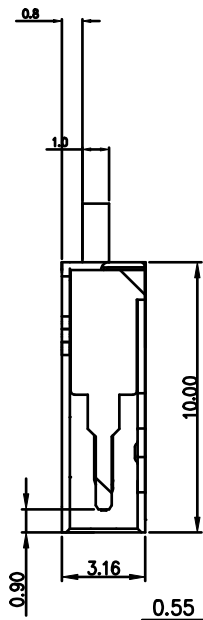
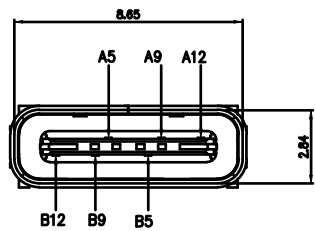


REV.	MODIFICATION	ECN No.	NAME	DATE
A0	Release of new edition		Song Hong	2019-04-24



RECOMMENDED P.C.B. LAYOUT  
TOLERANCE UNSPECIFIED ±0.05mm

B12	GND
B9	VBUS
B5	CC2
A5	CC1
A9	VBUS
A12	GND
PIN	SIGNAL NAME

**NOTES:**

- MATERIAL:**  
MOLDING: LCP UL94 V-0  
CONTACT: COPPER ALLOY.  
GOLD PLATED Min ON CONTACT AREA, 100u"  
Min TIN (LEAD FREE) ON SOLDER AREA,  
SHELL: COPPER ALLOY C2680, T=0.30±0.03mm  
50u" NICKEL PLATING OVER ALL.
- MECHANICAL:**  
INSERTION: 5~20N.  
EXTRACTION: 8~20N AFTER TEST.  
DURABILITY: 10000 CYCLES
- ELECTRICAL:**  
CURRENT: 3A FOR VBUS;  
1.25A FOR GND PIN.  
0.25A FOR OTHER.  
VOLTAGE: 20 V MAX  
WITHSTANDING VOLTAGE: 100V AC R.M.S.  
CONTACT RESISTANCE: 40mΩ MAX.  
INSULATION RESISTANCE: 100MΩ MIN.
- ENVIRONMENTAL**  
TEMPERATURE RANGE -25°C ~ +85°C
- 尺寸标注事项:  
圆角有标注"R"者为半径, 重点标注尺寸.
- 产品符合RoHS标准

SHENZHEN KINGHELM ELECTRONIC CO., LTD.		WWW.BDS666.COM	
Model: KH-TYPE-C-L10-6P		0755-83044319	
.X: ±0.35	.X': ±1.5°	INTENDED USE:	TITLE:
.XX: ±0.25	.XX': ±1.0°	CONNECTOR	USB TYPE C 6PIN PLUG 间距±0.05mm
.XXX: ±0.20	.XXX': ±0.5°	APPD.:	PART NO.: SEE TABLE
MAT'L: SEE NOTES		CHKD.:	DWG. NO.: T16-000X
FINISH:		DR.: Len.Song	SCALE: 1:1
			PAGE: 1/1
			UNIT: mm
			REV.: A0