

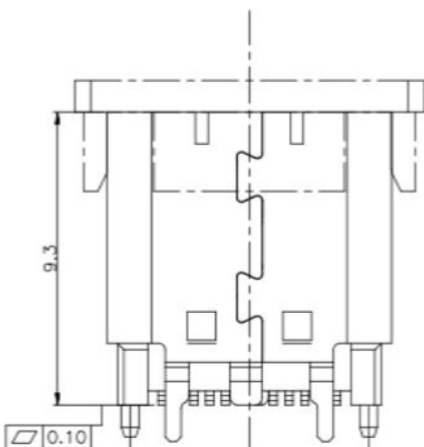
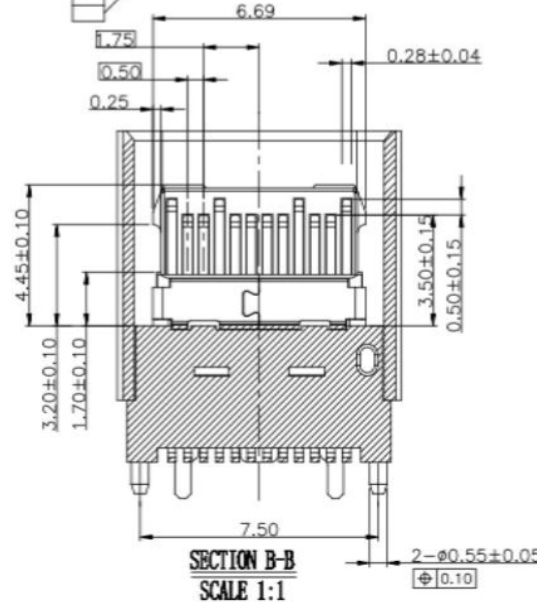
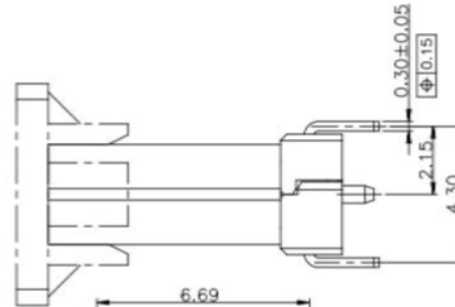
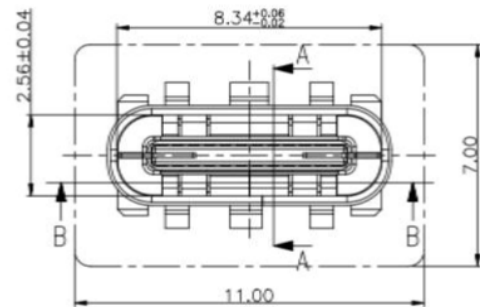
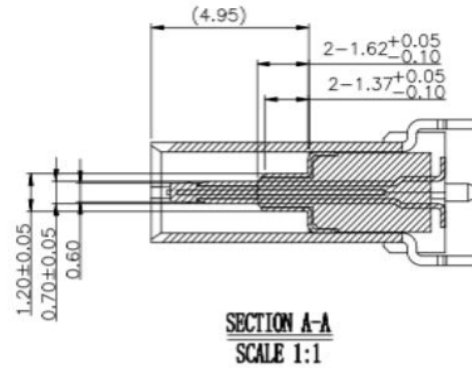
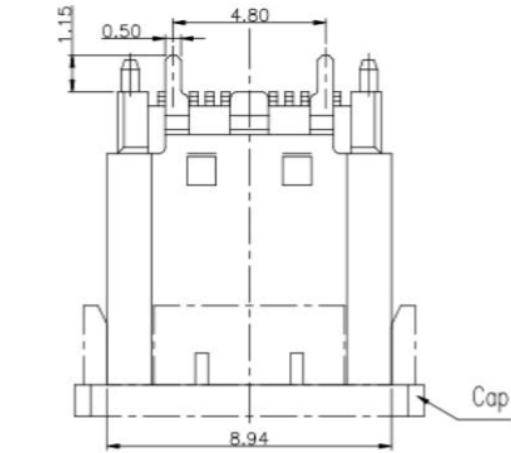
REV.	DESCRIPTION	DATE	CHANGER
A/0	Original version		

DRAWING FOR CUSTOMER

Model: **KH-TYPE-C-L9.3-24P**

NOTES:

- MATERIAL:**
 MOLDING: LCP UL94 V-0
 CONTACT: COPPER ALLOY.
 GOLD PLATED 1u" Min ON CONTACT AREA,
 100u" Min TIN (LEAD FREE) ON SOLDER AREA,
 SHELL: SUS304, 50u" NICKEL PLATING OVER ALL.
 SHILD: SUS304
- MECHANICAL:**
 INSERTION: 5~20N.
 EXTRACTION: 8~20N.
 DURABILITY: 10000 CYCLES
- ELECTRICAL:**
 CURRENT: 5A MIN FOR VBUS;
 0.25A MIN FOR OTHER.
 VOLTAGE: 5VAC MAX
 WITHSTANDING VOLTAGE: 100V AC.
 CONTACT RESISTANCE: 40mΩ MAX.
 INSULATION RESISTANCE: 100MΩ MIN.
- ENVIRONMENTAL**
 TEMPERATURE RANGE -55°C ~ +85°C



SHENZHEN KINGHELM ELECTRONIC CO., LTD.		WWW.BDS666.COM	
Model: KH-TYPE-C-L9.3-24P		0755-83044319	
TOLERANCE: X. ±0.25 X.X ±0.20 X.XX ±0.15 X.XXX ±0.10 X' ±1" X.X' ±0.05"	DRAWN BY : He Junju	DATE : 2015. 12. 03	PART NAME: USB C TYPE FEMALE SMT VERTICAL 9.3 CONNECTOR
 UNIT: mm [inch] SCALE: 1:1 SIZE: A4	CHECKED BY: Lai Jiren	DATE :	PART NO. H0029-24-Z1-1
	APPROVED BY: Zhang Songqiang	DATE :	MOLD NO.
			REMARK
			DRAW NO.