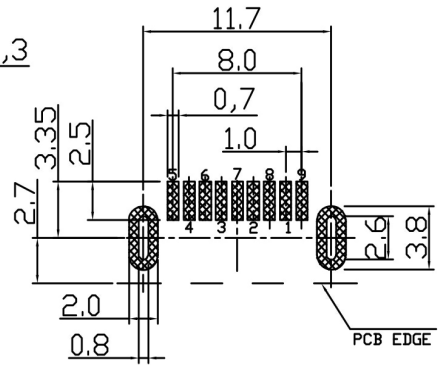


Technical Characteristics

1. Operating Temperature: -25~80°C
2. Rated Voltage: DC 30V
3. Circuit Changer: 1.0 A
3. Contact Resistance ≤ 30mΩ
4. Insulation Resistance ≥ 100MΩ
5. Withstand Voltage 500VDC
6. Insertion-withdrawal Force : 5~35N
7. Electrical Life: 1500 times
8. Salt spray test: 24H

C



P-C-B

Registration of borrowed (general) parts

C	2016080010-03	Signal pin	H65 copper T=0.2	Tin tin/gold	
B	2016080010-02	Housing	Iron housing T=0.3	Nickel-Plating	
A	2016080010-01	Rubber Core	LCP	Blue	
NO.	Part No.	Name	Materials	Electroplating/color	Remark

Old diagram number					
Diagram number	Mark	Number of Revised	Revised Document Number	Signature	Date
	Designed				
Signature	Checked				
	Craft				
Date					
	Standardization				
	Approval				

Visual Angle	Unspecified	X. ±0.30	X°. ±2°
		.X ±0.20	.X°. ±1°
		.XX ±0.15	.XX°. ±0.5°
	Toleran	XXX ±0.05	
Drawing	Mark	Weight	Scale
1 Page in Total		1 Page	

AM 3.0 USB plug

2016080010

SHENZHEN KINGHELM ELECTRONIC CO., LTD.

WWW.BDS666.COM

KH-3.0USB-AM-9P

0755-83044319