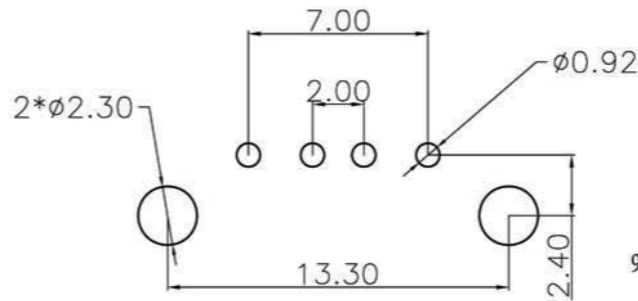
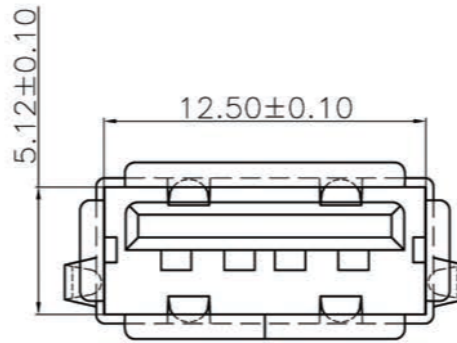
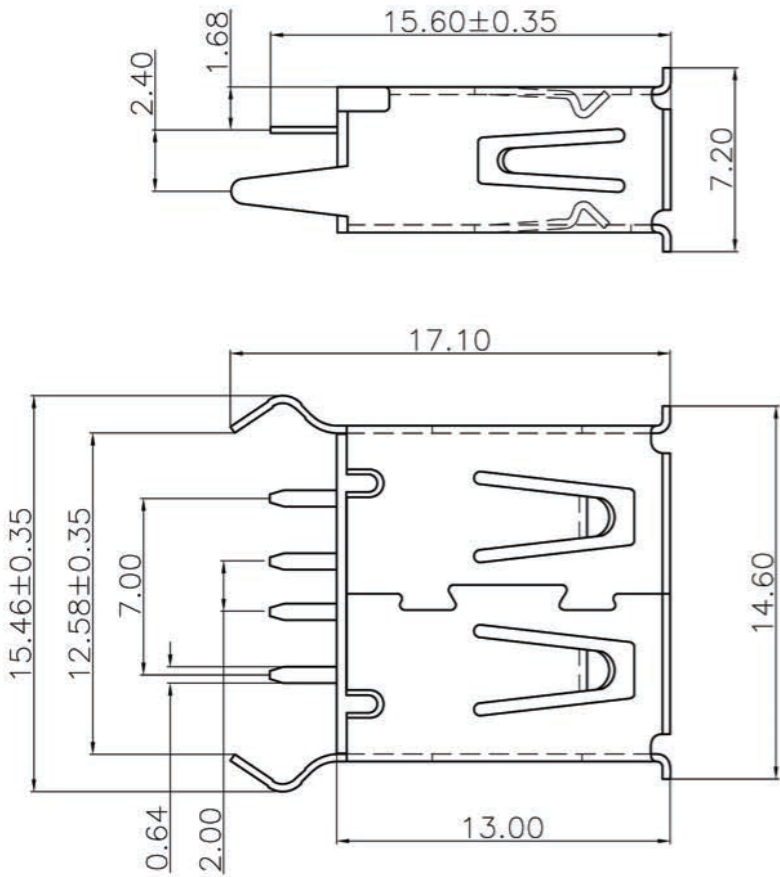


# Kinghelm®



**PCB.LAYOUT**

**Explanation**

**Electrical Specifications:**

Contact Resistance:

30 mΩ (Max)

Insulation Impedance:

1000 KΩ (Min)

Withstanding Voltage:

500V AC 1minute

**Materials:**

Rubber Core:

PBT

Terminal:

Brass C2680

Housing:

Brass C2680/SPCC

**Electroplating:**

Terminal:

Contact area gold-plating 1 μ",  
Soldering area Tin flash 40μ" Min

Housing:

Whole-area nickel plating 40μ" Min

91-US01-XXX

- 189:PBT White, Semi-gold-plated Terminal 1u", Copper housing
- 190:PBT White, Semi-gold-plated Terminal 1u", Iron housing
- 191:PBT Black, Semi-gold-plated Terminal 1u", Copper housing
- 192:PBT Black, Semi-gold-plated Terminal 1u", Iron housing
- 652:LCP Cream color, Semi-gold-plated Terminal 1u", Copper housing

TOLERANCE UNLESS OTHERWISE SPECIFIED
.XXX ±0.10
.XX ±0.25
.X ±0.30
.X' ±3'

<b>PART NAME:</b>	USB AF 180 ° Dip terminal bending 13.0	
<b>PART No:</b>	See Table	C
	SHENZHEN KINGHELM ELECTRONIC CO., LTD.	WWW.BDS666.COM
	KH-AF180WJ-13-JB	0755-83044319

REV:	DESCRIPTION	REV BY	APPROVED	DATE	MATL:	SEE SPECIFICATION	APPROVED
					PROJECTION:	THIRD ANGLE PROJECTION	CHECKED
					UNIT:	SCALE	REV(NO)
					mm	1:1	A
						SHEET	DRAWN
						1 OF 1	ZouJianhui
						DATE	2011.06.08