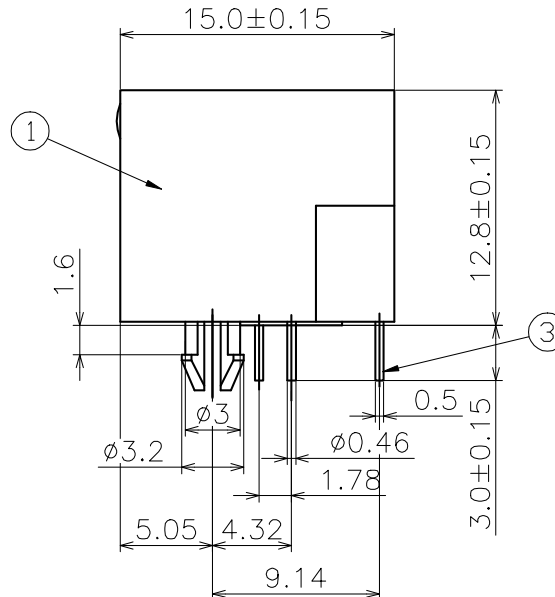
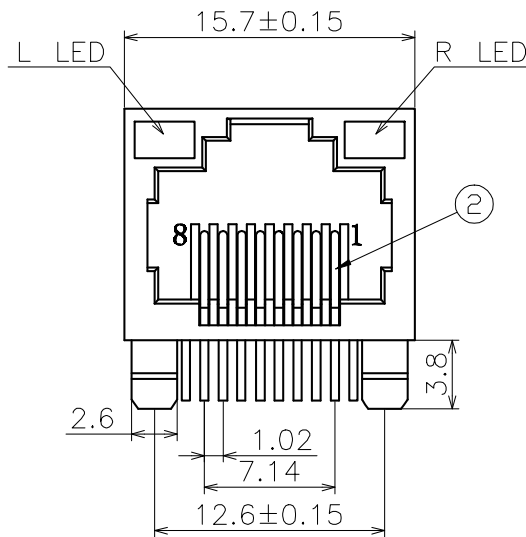


Kinghelm®



(SPECIFICATION):
 (TEMPERATURE RANGE):-40~+70℃
 (VOLTAGE RATING):125V
 (CURRENT RATING):1.5A
 (CONTACT RESISTANCE):≤30mΩ
 (INSULATION RESISTANCE):≥500MΩ
 (DIELECTRIC STRENGTH):500V AC/(50HZ)/Min
 (MATING AND UNMATING FORCE):3~20N
 (DURABILITY):750 CYCLES MIN

X	Terminal Plating
0	Au 5u" Plating
1	Au 1u" Plating
2	Au 2u" Plating
3	Au 3u" Plating
4	Au 6u" Plating
5	Au 10u" Plating
6	Au 15u" Plating
7	Au 30u" Plating

X	MOULD
N	NEW MOULD
O	OLD MOULD

Material & Plating

MOULD

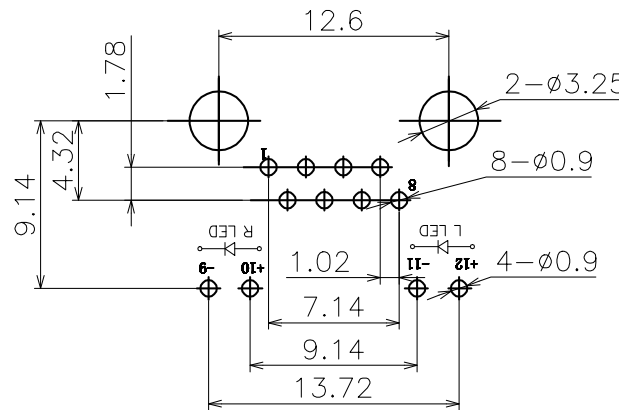
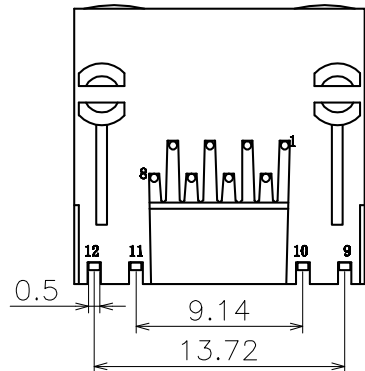
Part NO.: RCH5631-QD-X-XX-X

LED position

Material & Color

D	L LED/R LED
YG	YELLOW/GREEN
GY	GREEN/YELLOW
YY	YELLOW/YELLOW
GG	GREEN/GREEN
OO	OTHER/OTHER

XX	Material/Color
BB	PBT/BLACK
BW	PBT/WHITE
AB	PA/BLACK
AW	PA/WHITE
OO	OTHER/OTHER



PCB LAYOUT
RECOMMENDED

No.	Designation	Materials	Quantity	Plating/Colour	Remark
3	LED Lamp	Resin/FE	2	NI/AG	
2	Contact Pin	PHOSPHOR BRONZE	8	AU	
1	Plastic Base	PA	1	BLACK	

Outline drawing of network socket

SHENZHEN KINGHELM ELECTRONIC CO., LTD.		www.BDS666.COM	
KH-RCH56- -8P8C-1X4-D		0755-83044319	
General tolerance			
30~	±0.25	Product name	RCH-56- 31(All-plastic belt lamp)
10~50	±0.20	Part Number	RCH5631-QYC-3-AB-N
~10	±0.16	Model	RJ45 Drawing Number
Angle	±2°	Version	
Page	1 of 1	Unit:mm	Scale:1:1 Paper:A4

Drawn
checked
Approved

Date
Date
Date

禁止在圖面上隨意塗改

A/0 Newly published

Marks of Changes

number of Changes

Drawn

Date

Approved

Date

1 2 3