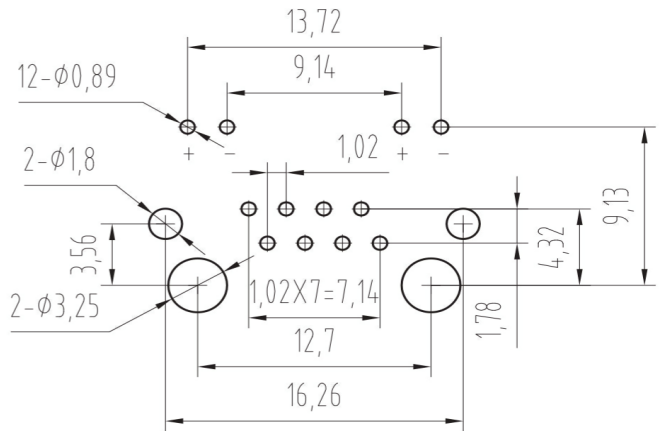
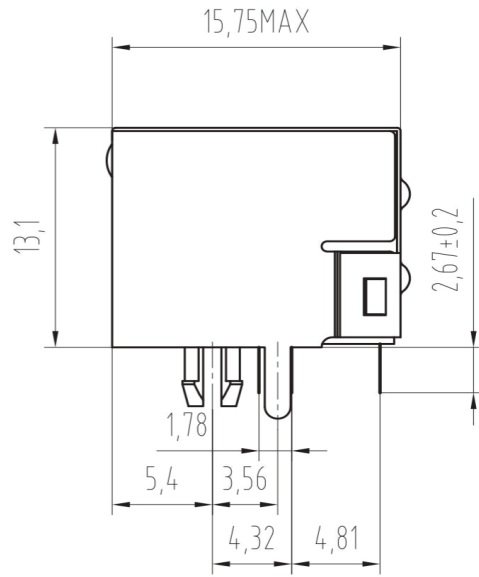
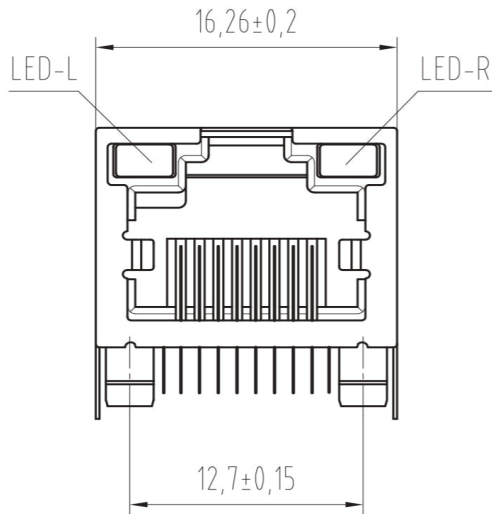


Model: KH-RJ45-56-8P8C-D



**PC Board Layout**  
**Component Side Shown**

**Main parameters:**

1. Rated Voltage, Rated Current: 125V/1.5A max
2. Contact Resistance: 40mΩMax Initial state :100mΩ Max Final state
3. Insulation Resistance: 500MQMin
4. Dielectric Withstand Voltage Test: AC500V/5.0mA for 1 minute
5. salt spray test: 8±0.5H

<b>D</b>		LED LAMP	YELLOW/GREEN		
<b>C</b>		Signal pin	Phosphor Bronze	Tin-gold	
<b>B</b>		Housing	Copper Housing	Tin-pating	
<b>A</b>		Core	PA66	Black	
No.	Materials No.	Designation	Materials	Electroplating/color	Remarks

					Visual Angle	Unspecified Tolerance	X. ±0.30 .X ±0.20 XX ±0.15 XXX ±0.05	X° ±2° .X° ±1° XX° ±0.5°	WN
Marking	Number of Revised	Revised Document Number	Signature	Date		Mark	Weight	scale	
Designed	Xiao Changhong				Drawing				
Checked	Tang Yuanlin								
Technics	1 Page in Total		Page 1						Model: : KH-RJ45-56-8P8C-D
Standardized					SHENZHEN KINGHELM ELECTRONIC CO., LTD.			WWW.BDS666.COM	0755-83044319
Approved	Tang Ping								