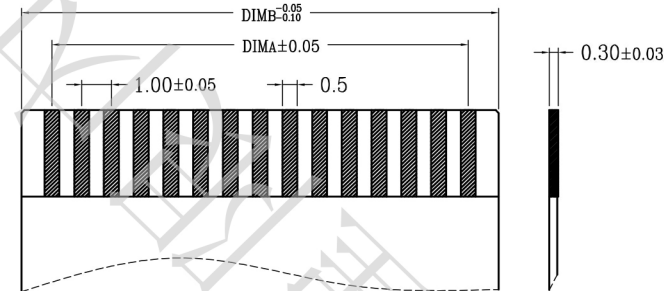
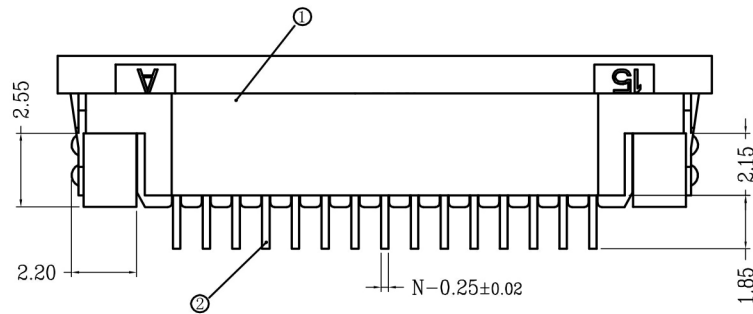
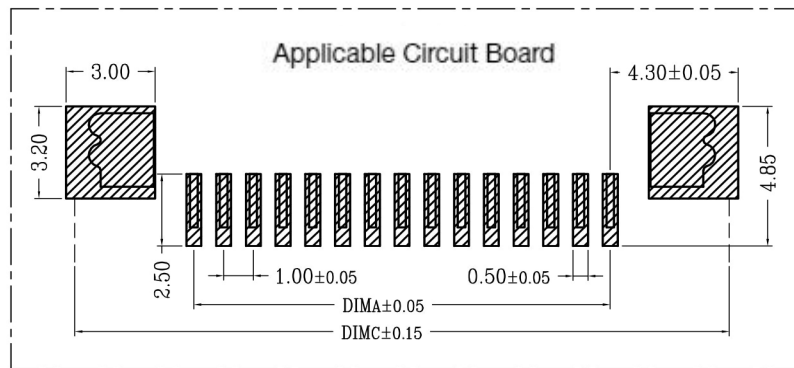


SECTION A-A



Applicable Flat Wire



Applicable Circuit Board

Technical Specifications:

1. The surface of plastic parts shall be smooth without burrs and obvious shrinkage, defects, cracks, etc.
2. Temperature Range: - 25 ° C ~ 85 ° C.
3. Rated Voltage: 50V, AC/DC (Equivalent).
4. Contact Resistance: 0.03 .
5. Insulation Resistance: 500M

| Serial Number | Designation | Material |
|---------------|---|--------------------------------------|
| ① | 1 OK-shaped Rubber Core (H2.5) | Lop UL94V-0 Natural Colour |
| ② | 1 OK-shaped Upper Terminal (H2.5) | Phosphor Bronze/ Tin-plating Surface |
| ③ | 1 OK-shaped Rear Cover (H2.5) | LCP UL94V-0 Black |
| ④ | 1 OK-shaped R/A Soldering Terminal (H2.5) | Brass/Tin-plating Surface |

| CKT | DIM A | DIM B | DIM C |
|-----|-------|-------|-------|
| 4 | 3.00 | 5.03 | 11.00 |
| 5 | 4.00 | 6.03 | 12.00 |
| 6 | 5.00 | 7.03 | 13.00 |
| 7 | 6.00 | 8.03 | 14.00 |
| 8 | 7.00 | 9.03 | 15.00 |
| 9 | 8.00 | 10.03 | 16.00 |
| 10 | 9.00 | 11.03 | 17.00 |
| 11 | 10.00 | 12.03 | 18.00 |
| 12 | 11.00 | 13.03 | 19.00 |
| 13 | 12.00 | 14.03 | 20.00 |
| 14 | 13.00 | 15.03 | 21.00 |
| 15 | 14.00 | 16.03 | 22.00 |
| 16 | 15.00 | 17.03 | 23.00 |
| 17 | 16.00 | 18.03 | 24.00 |
| 18 | 17.00 | 19.03 | 25.00 |
| 19 | 18.00 | 20.03 | 26.00 |
| 20 | 19.00 | 21.03 | 27.00 |
| 21 | 20.00 | 22.03 | 28.00 |
| 22 | 21.00 | 23.03 | 29.00 |
| 23 | 22.00 | 24.03 | 30.00 |
| 24 | 23.00 | 25.03 | 31.00 |
| 25 | 24.00 | 26.03 | 32.00 |
| 26 | 25.00 | 27.03 | 33.00 |
| 27 | 26.00 | 28.03 | 34.00 |
| 28 | 27.00 | 29.03 | 35.00 |
| 29 | 28.00 | 30.03 | 36.00 |
| 30 | 29.00 | 31.03 | 37.00 |
| 31 | 30.00 | 32.03 | 38.00 |
| 32 | 31.00 | 33.03 | 39.00 |
| 33 | 32.00 | 34.03 | 40.00 |
| 34 | 33.00 | 35.03 | 41.00 |
| 35 | 34.00 | 36.03 | 42.00 |
| 36 | 35.00 | 37.03 | 43.00 |
| 37 | 36.00 | 38.03 | 44.00 |
| 38 | 37.00 | 39.03 | 45.00 |
| 39 | 38.00 | 40.03 | 46.00 |
| 40 | 39.00 | 41.03 | 47.00 |

| | | | |
|--|--|----------------|---------------|
| SHENZHEN KINGHELM ELECTRONIC CO., LTD. | | WWW.BDS666.COM | |
| KH-CL 1.0-H2.5-10PS | | 0755-83044319 | |
| TITLE | 1.0 Pitch K-shaped R/A Upper Connector (H = 2.5) | DR | WANG TAO |
| DWG_NO | 2051-XXXX | CHKD | WU PENG |
| SCALE | 1:01 | APPD | HUANG ZHIMING |
| UNITS | mm | SHEET | 1 OF 1 |
| | | SIZE | A4 |
| | | REV | 1 |

Common tolerance
 X ± 0.50 XX ± 1.0
 Y ± 0.20 ZXX ± 0.05
 ANGLES ± 1°