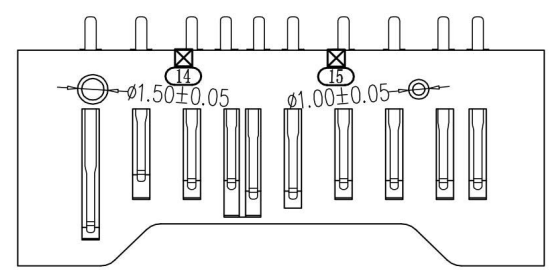
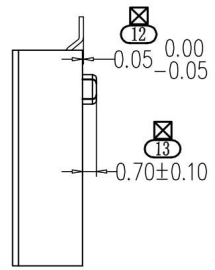
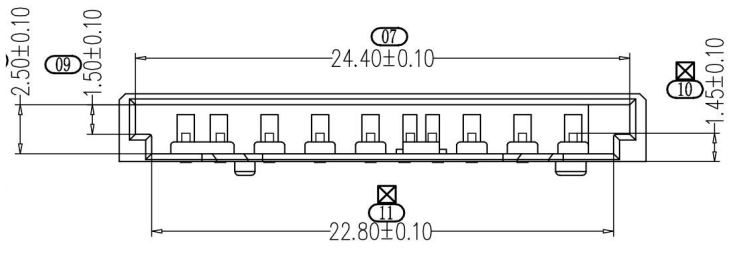
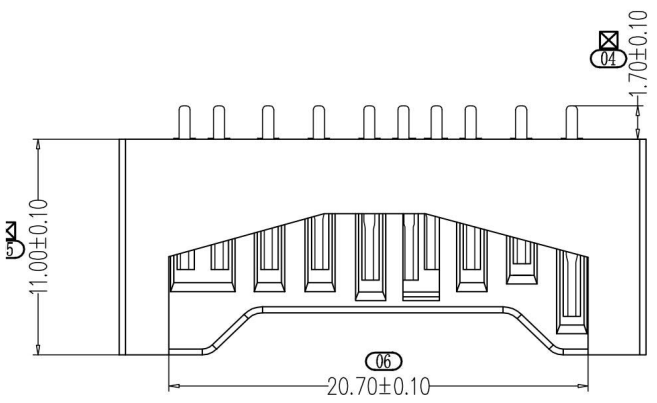
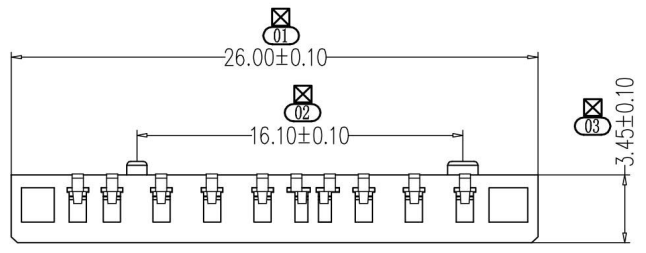


Revision	Approved	Date	Basic description	Engineering change number	Presenter	Edition of changes



- Remarks:
- Material:
Terminal: C2680-EH;
Plastics: LCP environmental protection (vinyl/white glue)
 - Plating specification:
Shell: All areas are brightened with 120 u μ ~ Min.
Electroplating symbol
"ROHS-compliant";
Terminal: First plated with 80 100U "nickel base, and then plated with gold in the contact area,
Bright tin 120u 'Min was plated on the welding area.
 - Appearance:
Shall be free of dirty, mold mark, crush injury, dislocation etc:
 - Salt spray test requirements:
After 24 hours of test, the corrosion grade reaches above 9.8;
 - Rubber core failure test should be greater than 2.0 Kgf;
 - Excessive high temperature of rubber core
260 degrees 5 degrees, one minute;
 - Terminal retention force > 8N \times PIN:
When PCB is not welded, th $\times \times$ k force between shell and rubber core should be > 2Kgf;
 - The dimensions marked with "aaa" are QIP inspection dimensions;
 - Dimensions marked with "BBB" are FAI full inspection dimensions;
 - Electrical performance:
A. Withstand voltage: AC 500V/MIN.

Visual Angle		Unspecified Tolerance	SHENZHEN KINGHELM ELECTRONIC CO., LTD.		WWW.BDS666.COM	
		.000 ±0.00 .00 ±0.10 .0 ±0.15 Angle ±2°	Model:	KH-SD2611-B	0755-83044319	
Product name	SD Simple card connector	Drawn		Page	1/1	
Part Number		Designed		Version	A	
Customer P/N		Checked		scale	1:1	
Drawing type	Finished product drawing	Approved		Unit	mm	