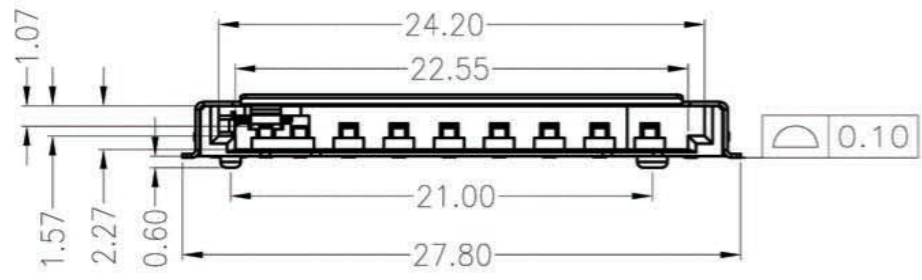
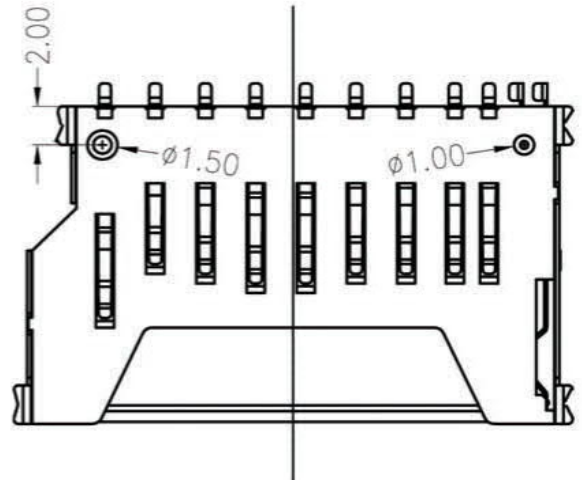
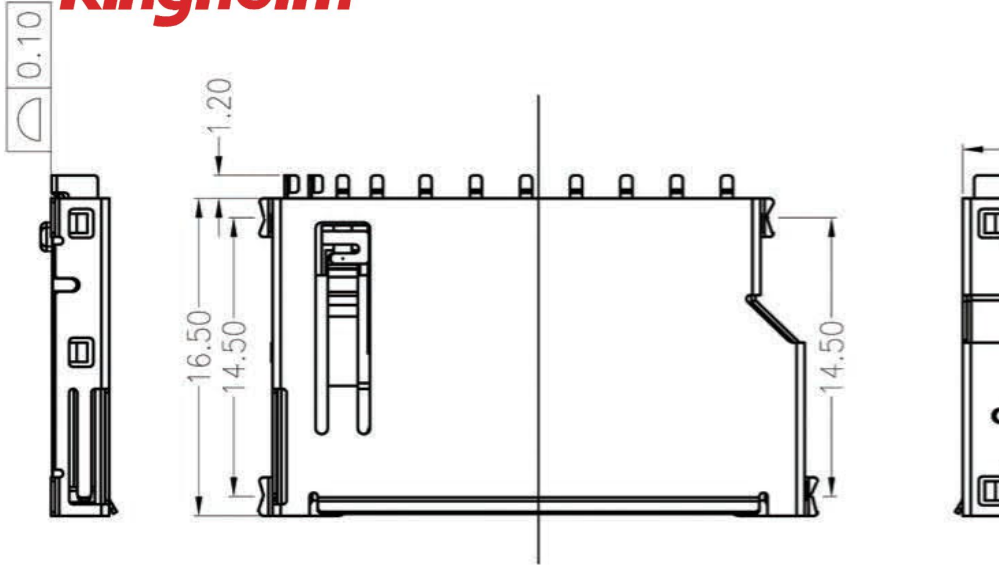
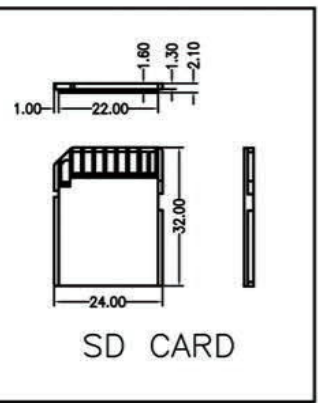


Kinghelm®

REV.	DESCRIPTION	APPD	DATE



- NOTES:**
- MATERIAL:**
HOUSING: HIGH TEMPERATURE THERMOPLASTIC UL94V_0,COLOR:BLACK.
CONTACT: COPPER ALLOYS.
COVER: SPTe.
 - PLATING:**
UNDERPLATE: NICKEL.
CONTACT AREA: GOLD OVER NICKEL.
SOLDER AREA: TIN OVER NICKEL.
 - MULTIMEDIA CARD COMPATIBLE**



PART NO: SDDF1-EBS1-1301		MATERIAL: SHENZHEN KINGHELM ELECTRONIC CO., LTD.	WWW.BDS666.COM
LOT NO: 1011110000		FINSH:	Model: KH-SD2816-B 0755-83044319
UNIT: MM	SIZE: A4	COLOR:	TITLE: SD stub (finished product)
TOLERANCES: X.X=±0.15 X.XX=±0.05 X.XXX=±0.03		GENERAL ANGLE: X.X=±1.0° X.XX=±0.5°	DR: 杨凯 2011/03/31
		CHK:	DWG NO: FP-100090
		APP:	REV: A/0
		SCALE: 1:1	SHEET: 1 OF 1