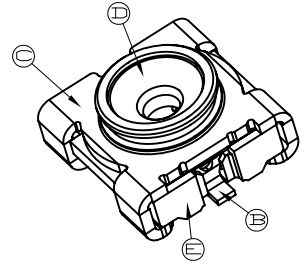
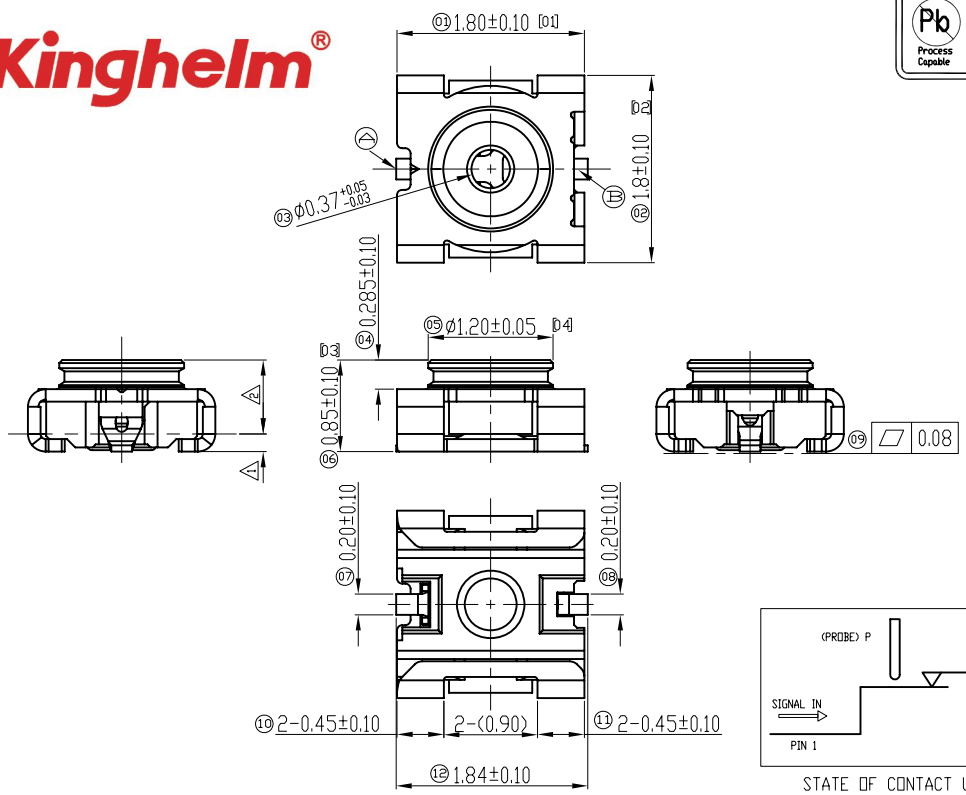
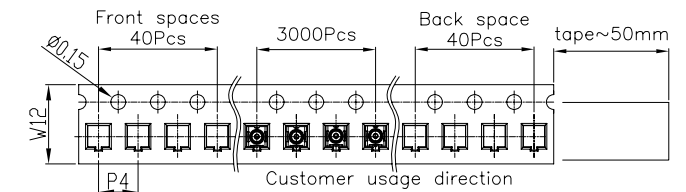
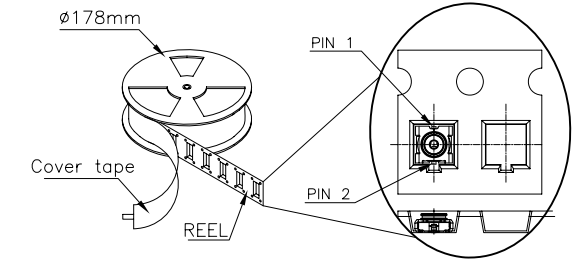


Kinghelm®

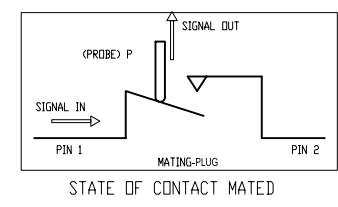
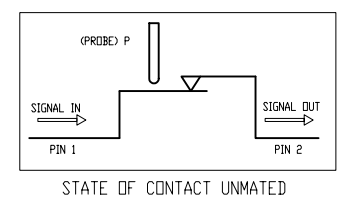


Rev.	ECN Number	Description	Date	Drawn	Checked	Approved
C	ECN170858	Add steel network specifications	05/04/17	LW	Ken	Tan

PACKING SPECIFICATION:

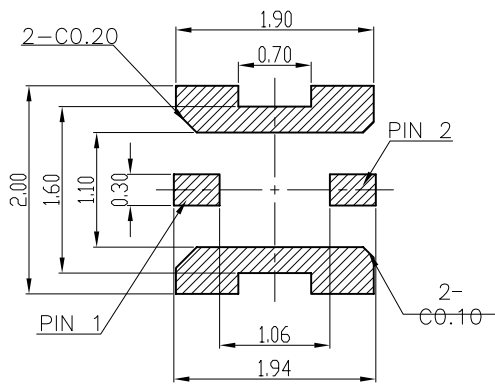


3D Model

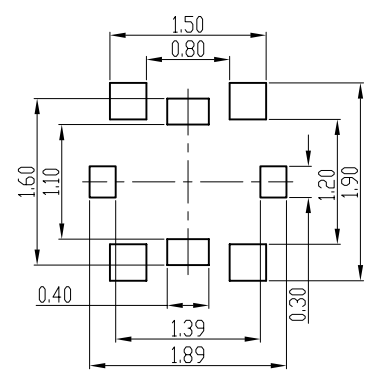


NOTES:

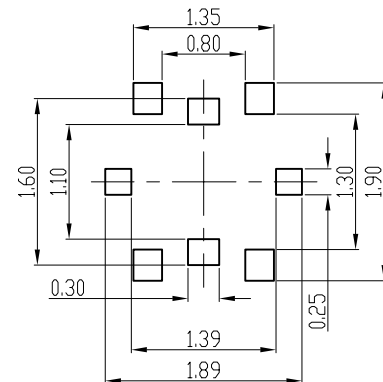
- Rated Voltage: 60V AC max.
- Frequency Range: DC~6GHz
- Impedance: 50Ω
- Power Rating: 2W
- Operating Temperature: -40°C~+85°C
- Insulation Resistance: 1000MΩ min.
- Withstanding Voltage: 100V AC & 1minute
- Initial Contact Resistance: 100 mΩ max. (Without conductor resistance)
- Voltage Standing Wave Ratio(VSWR)
 - max.(DC~3GHz)
 - max.(3~6GHz)
- Insertion loss: 0.10dBmax.(DC~3GHz), 0.20dBmax.(3~6GHz)
- Isolation: 20 dBmin.(DC~3GHz), 15 dBmin.(3~6GHz)
- Durability: 100 cycles
- Packing tape&reel 3000Pcs/Reel (Φ178mm)
- IR Reflow Cycles: 2cycles
- Allow the push force range is 1.5 to 2.5N.



RECOMMENDED PCB LAYOUT
TOLERANCE ±0.05MM



RECOMMENDED METAL MASK
THICKNESS 0.08MM



RECOMMENDED METAL MASK
THICKNESS 0.10MM

ITEM	DESCRIPTION	Q'TY	MATERIAL/FINISH
①	DOWN HOUSING	1	LCP UL94V-0/BLACK
②	TOP HOUSING	1	LCP UL94V-0/BLACK
③	SHELL	1	C5191/ Ni:50u" Min
			C5191/Au:2u" Min; Ni:50u" Min
④	PIN 2	1	SUS304/Au:2u" Min; Ni:50u" Min
⑤	PIN 1	1	SUS301/Au:5u" Min; Ni:50u" Min

BOM LIST

SHENZHEN KINGHELM ELECTRONIC CO., LTD.	GENERAL TOLERANCE		SCALE: 1:1	DRAWN: LW	DATE: 05/04/17	DWG. NO. 600-3767-01	TITLE: CUSTOMER DRAWING	REV. C
WWW.BDS666.COM	XX ±0.50		UNIT: mm	CHECK: Ken	DATE: 05/04/17			PARTS NO.(INTENDED USE) KH-1818085-4
KH-1818085-4	X ±0.35	X° ±2.0°	SIZE: A4	APPROVE: Tan	DATE: 05/04/17			
0755-83044319	.X ±0.25	.X° ±1.0°						
	.XX ±0.15	.XX° ±0.5°						