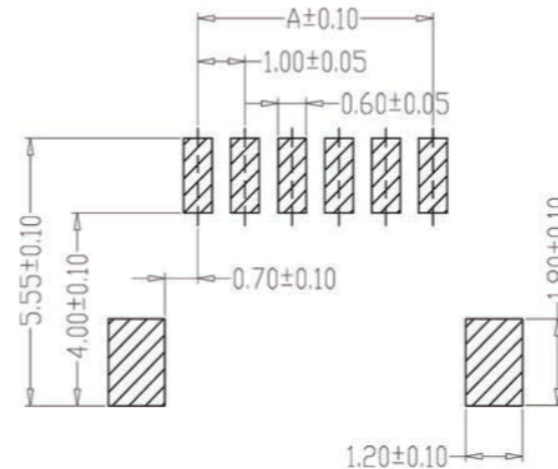
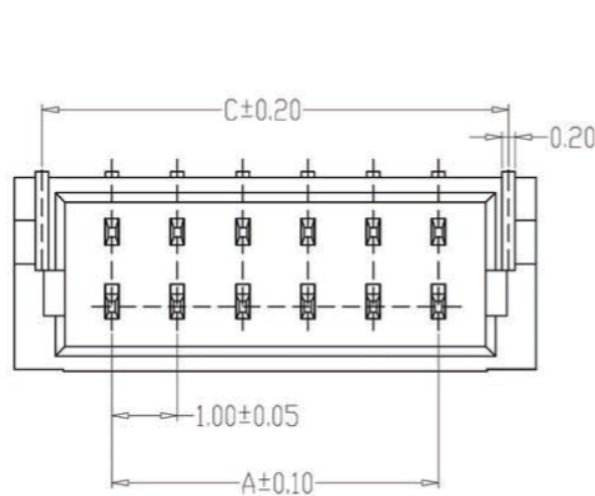


Model: KH-A1001WF- (02-20) A

### SPECIFICATIONS

- 1、Current Rating: 1A AC, DC
- 2、Voltage Rating: 50V AC, DC
- 3、Temperatuer Range: -25°C~+85°C
- 4、Contact Resistance: 20mΩ Max
- 5、Insulation Resistance: 100MΩ Min
- 6、Withstanding Voltang: 500V AC/minute
- 7、Material: Wafer Nylon 6T, UL94V-0  
PIN Phosphoric bronze Tin-plated  
Solder tad Phosphoric bronze Tin-plated



### PCB LAYOUT

NO.	mm		
	A	B	C
A1001WF-02A	1.00	4.00	3.20
A1001WF-03A	2.00	5.00	4.20
A1001WF-04A	3.00	6.00	5.20
A1001WF-05A	4.00	7.00	6.20
A1001WF-06A	5.00	8.00	7.20
A1001WF-07A	6.00	9.00	8.20
A1001WF-08A	7.00	10.00	9.20
A1001WF-09A	8.00	11.00	10.20
A1001WF-10A	9.00	12.00	11.20
A1001WF-11A	10.00	13.00	12.20
A1001WF-12A	11.00	14.00	13.20
A1001WF-20A	19.00	22.00	21.20

DRAWN	DESCRIPTION	DATE	GENEPL TOLERANCE		DRAWING	2013、07、01	PART NO.			REV.	A
			X. ±0.25	X. ° ±2°	CHECK	2013、07、03	TITLE	1.0 SMT WAFF SMT TYPE		SHEET	1/1
			.X ±0.20	.X ° ±1°	APPROVAL	2013、07、05	CUTM. NO.				
			.XX ±0.15	.XX ° ±0.5°	UNITS	MM	SCALE	1:1	SHENZHEN KINGHELM ELECTRONIC CO., LTD.		
			.XXX ±0.10	.XXX ° ±0.5°			KH-A1001WF-04A		0755-83044319		