

SHENZHEN KINGHELM ELECTRONIC CO., LTD.

Datasheet

Model: KH-GPS1 60604-WY

: Ceramic parameters

Technical requirements	Technical index
Frequency range	1575.42 ± 2MHz
Bandwidth	10M
Gain	3.5dBi
VSWR	≤1.5: 1
Impedance	50Ω
Polarization	Dextral circular polarization
Horizontal coverage angle	360°
Antenna axial ration	≤5db

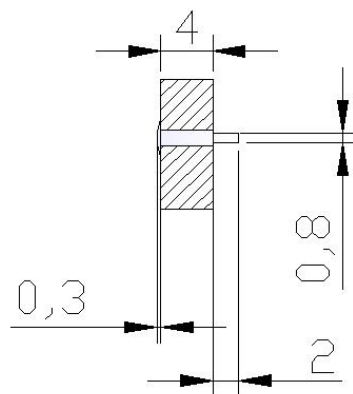
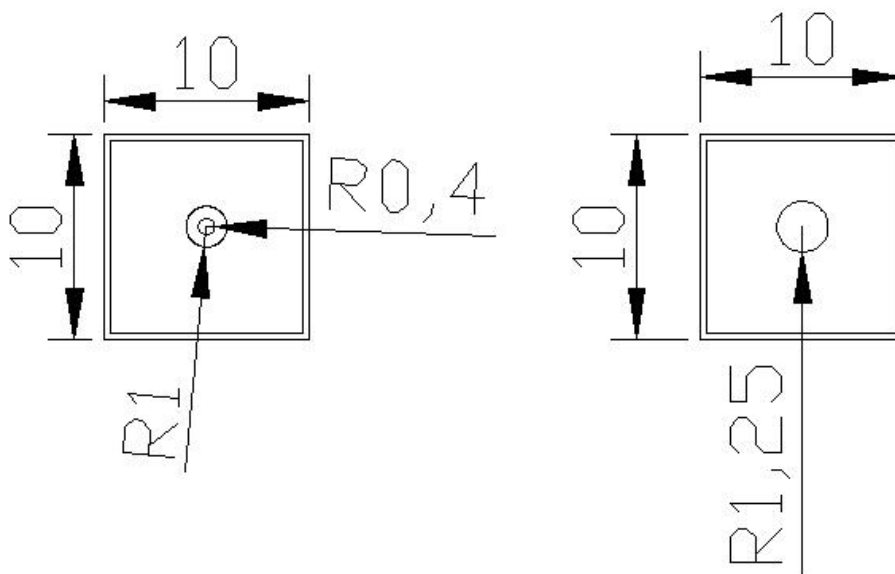
Impedance diagram



Environmental Characteristics

Operational	-45°C ~ +75°C
Storage Temperature	-40°C ~ +85°C
Humidity	40%~95%
Application Condition	Inside the machine

Antenna structure diagram



Object diagram

