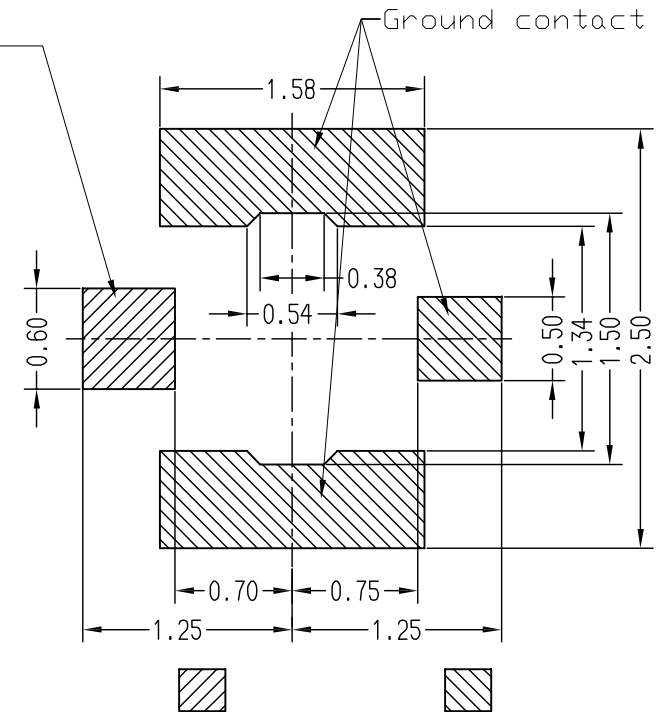
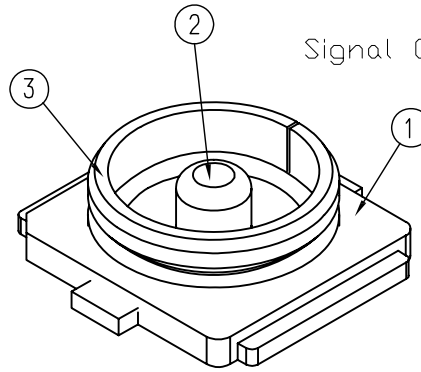
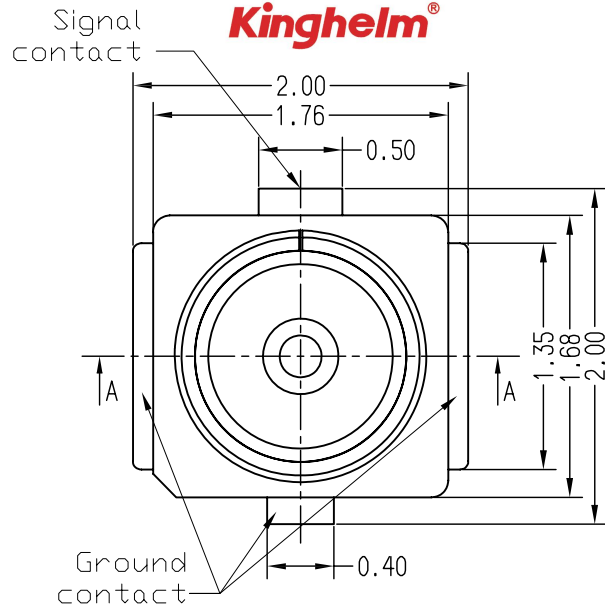


Kinghelm®

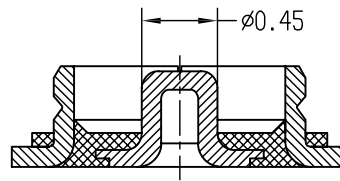
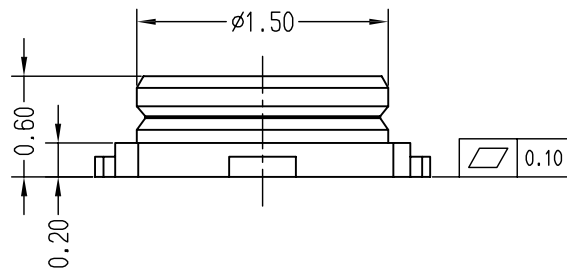
Model: KH-IPEX4-2020

REV	ECN NO.	APPD
A	ECN1211001	MAX

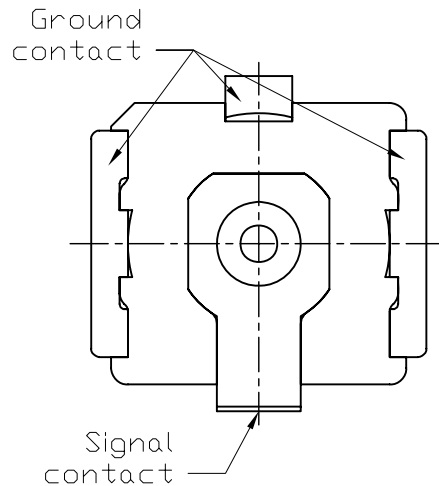


SIGNAL CONTACT GROUND CONTACT

P.C.B DIMENSION (TOP VIEW)
(TOLLERANCE ±0.05)



SECTION: A-A



NOTES:

- FREQUENCY RANGE:
DC TO 6GHZ (VSWR: 1.3MAX AT 0.1~3GHZ, 1.4MAX AT 3~6GHZ)
- CHARACTERISTIC IMPEDANCE: 50Ω (NOMINAL);
- TEMPERATURE: -40° C TO +90° C;
- RATED VOLTAGE : 60VAC;
- CONTACT RESISTANCE :
20mΩ MAX. (SIGNAL CONTACT)
20mΩ MAX. (GROUND CONTACT)
- WITHSTAND VOLTAGE : 200VAC FO、1 MINUTE MIN;
- INSULATION RESISTANCE : 500MΩ MIN. AT 100VDC;
- THIS COMPONENT IS HALOGEN FREE.

3	SHELL	1	COPPER ALLOY	Ni: 50u"~100u"/ Gold Flash.	
2	CONTACT	1	COPPER ALLOY	Ni: 50u"~100u"/ Gold Flash.	
1	HOUSING	1	LCP(BLACK)	UL94V-0	
ITFM	DFSCRIPTION	O'TY	MATFRIAL	FINISH	RFMARK

SHENZHEN KINGHELM ELECTRONIC CO., LTD.			WWW.BDS666.COM		
KH-IPEX4-2020			0755-83044319		DWG NO.: 113-0000-007
.X± 0.25	.X± 5'	APPD: Max 11/2'12	PART(料号) :		
.XX± 0.25	.XX± 3'	CHKD: Max 11/2'12			
.XXX±	.XXX± 1'	DR: Andy 11/2'12			
			UNITS SCALE SHEET REV. mm 1:1 1/1 A		