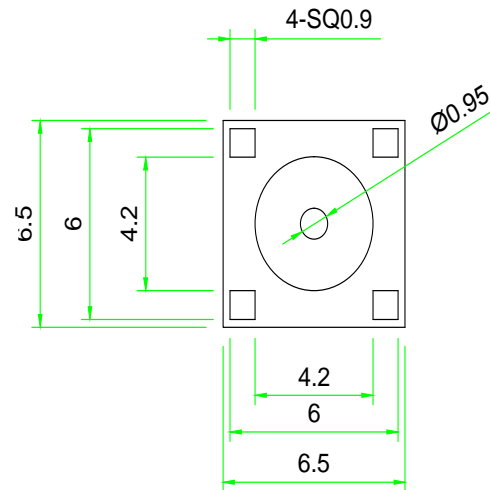
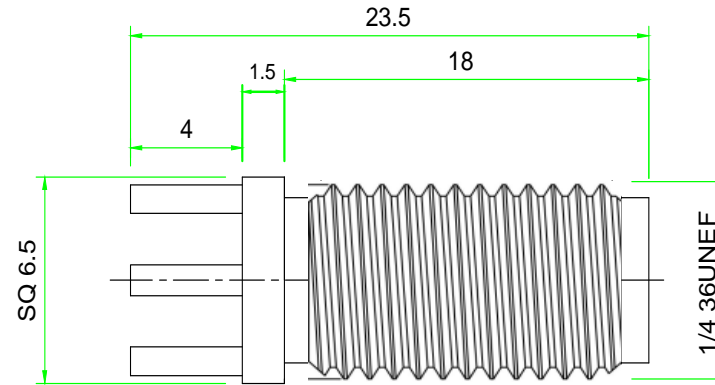


Kinghelm®

| Version | Modified content | Modifier | Date |
|---------|------------------|----------|------|
| | | | |
| | | | |



Material requirements:

- 1: Housing: Brass Gold-plating
- 2: Insulator : PTFE
- 3. Jack : (HPb59-1)Gold-plating

Technical Specification:

- 1. Unspecified tolerance ± 0.2
- 2. The coating is uniform, smooth and free of stains and scratches.
- 3. Materials shall be ROHS-compliant

| | | | | |
|--------------------------|------------------------|--|--|--|
| Part Name/ Specification | SMAKE-18 | SHENZHEN KINGHELM ELECTRONIC CO., LTD. | | |
| Customer P/N | KH-SMA-K513-18G | WWW.BDS666.COM | | |
| | | 0755-83044319 | | |
| Date | 2019. 10. 22 | Drawn | | |
| Drawing Number | | Checked | | |