

SHENZHEN KINGHELM ELECTRONIC CO., LTD.

Product Performance and Specifications AcknowledgementMaterial name: KH0(2400)-K500611-JBColour of Sample: WhiteType of Sample: 2.4G Rubber Antenna

Customer P/N: _____

Mold preparation products Other

Supplier: SHENZHEN KINGHELM ELECTRONIC CO., LTD.

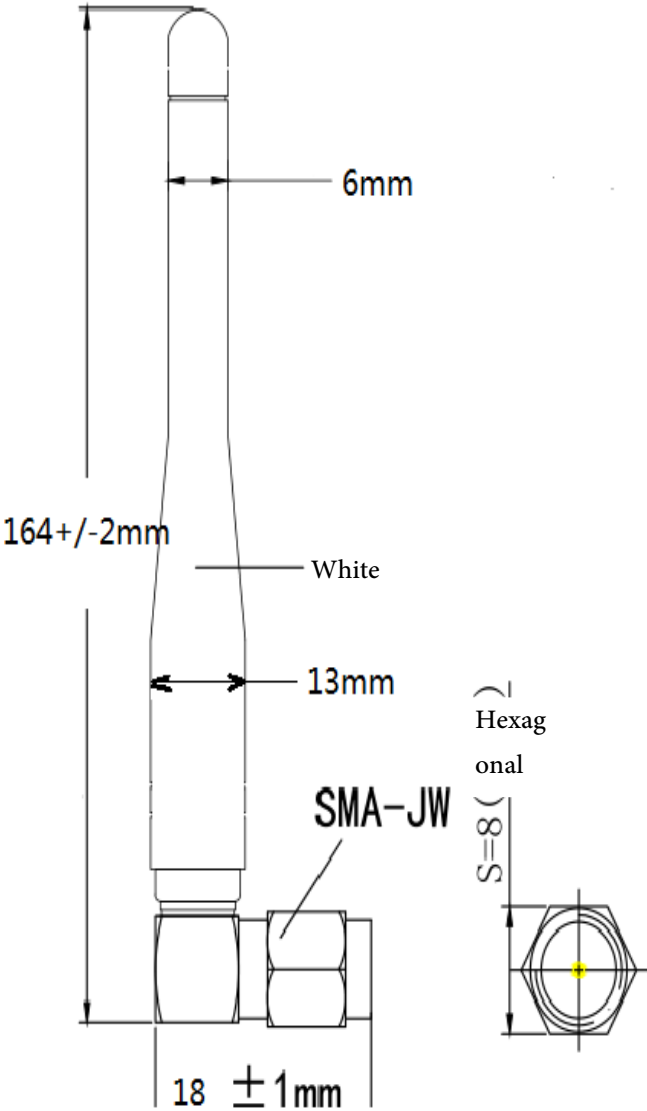
Prepared	Structure	Quality	Approval	SENDING DATE
LI HUI	LIU WENHUI	HE JUNJU	LIU QINHONG	2019.5.18

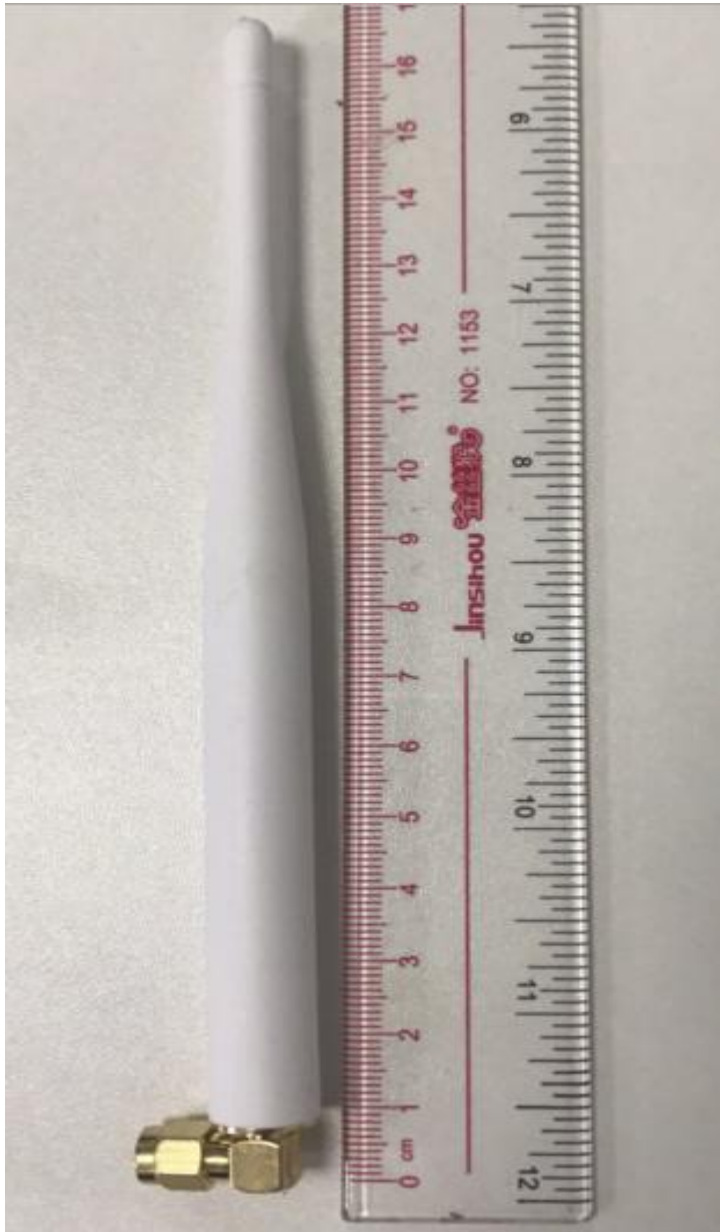
Customer: Shenzhen ctv Video Intelligence Co., Ltd.

Department	Confirm	Date	Status	Signature
Electronics				
Structure				
Quality				
Item				

DIMENSIONS

RP-SMA-Male

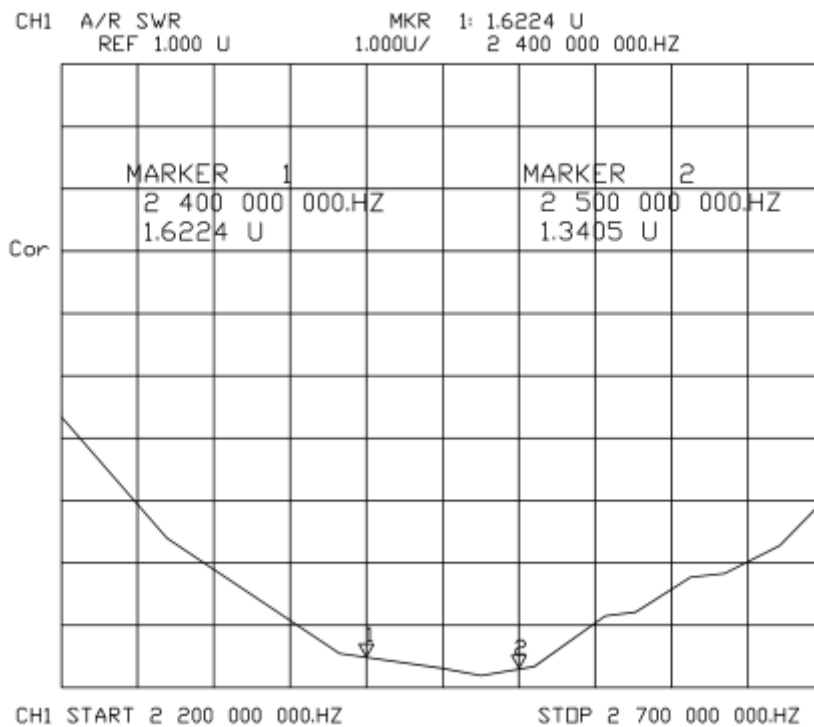




SPECIFICATIONS

Item	Specifications	
Antenna	Frequency Range	2400~2500MHz
	Band Width	100MHz
	Polarization	Linear
	Gain	<2.5dBi
	V.S.W.R	<2.0
	Impedance	50Ω
	Connector	RP-SMA Male or others
Environment	Operating Temperature	-35°C~+70°C
	Vibration	10 to 55Hz with 1.5mm amplitude 2hours
	Environmentally Friendly	ROHS Compliant

VSWR



Radiation Pattern

