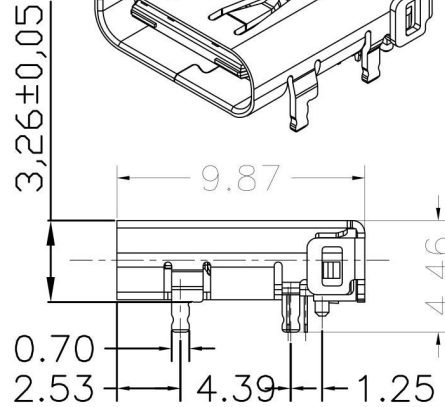
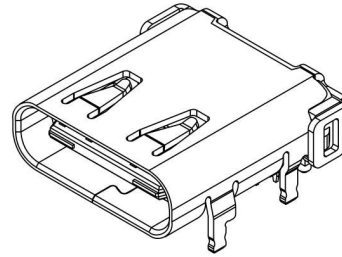
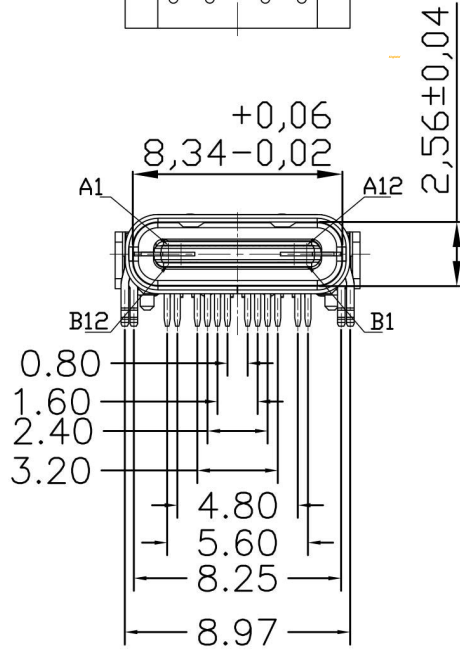
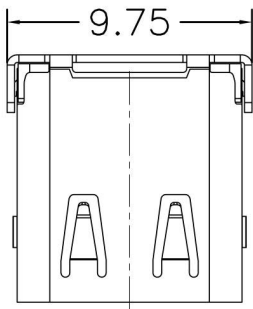


**Kinghelm®**

Model: KH-TYPE-C-24P-T9.87

REV	LTR	DESCRIPTION	DATE	APPROVED
A0				



Remarks:

1. Material:

1.1 Rubber core: LCP+30% G.F UL94V-0

1.2 Terminal: Phosphorus copper, T=0. 12mm; Nickel bottom, gold-plated X μ "

1.3 Shell: Stainless steel, T=0. 30mm; Nickel plating on the surface is 100 μ "

Or bright tin 1 00 μ "

1.4 Grounding piece: Stainless steel, T=0. 10mm;

1.5 Card: Stainless steel, T=0. 15mm;

2. Main characteristics:

2.1 Current rating: 0.5 A

2.2 Contact Impedance: 30mΩ MAX

2.3 Insulation Impedance: 100MΩ MIN 250V DC

2.4 Withstand Voltage Test: 250V AC

2.5 Sn-staining: temperature 250 ±5 °C, time 5 ±0.5 s

2.6 Overall insertion force: 3.57 kgf MAX

Overall pull-out force: 1.02 kgf MIN

2.7 Service life: 10,000 times

2.8 Operating temperature:-30C ~ + 80 °C

