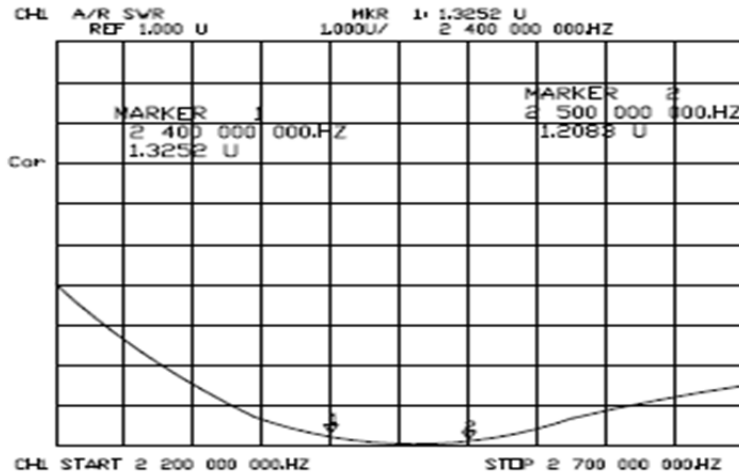
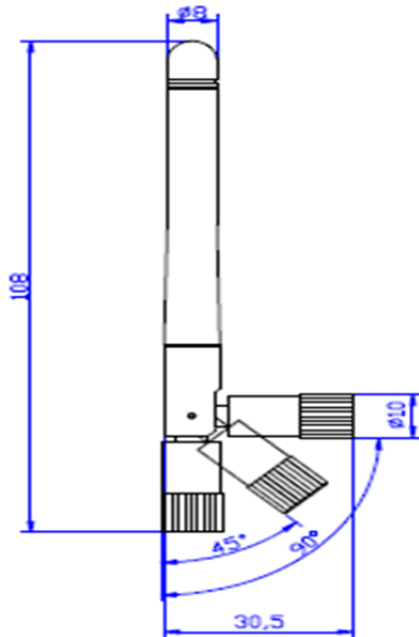


SHENZHEN KINGHELM ELECTRONIC CO., LTD.



ELECTRICAL SPECIFICATIONS		MECHANICAL SPECIFICATIONS	
Product Type	2.4G Folding curved antenna	Product Type	2.4G Folding curved antenna
Model	KH-(2400)-J505-JB	Model	KH-(2400)-J505-JB
Frequency Range	2400-2500MHZ	Height	108mm
Impedance	50 Ω	Max diameter	10mm
VSWR	1:2.0	Min diameter	8.0mm
Gain	2 dBI	Connector	SMA-J
Polarization	Vertical	Lighting protection	DC grounding
Radiation	Omnidirectional		
Max power	20W		