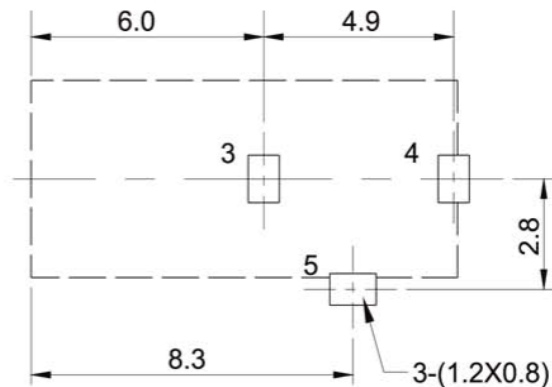
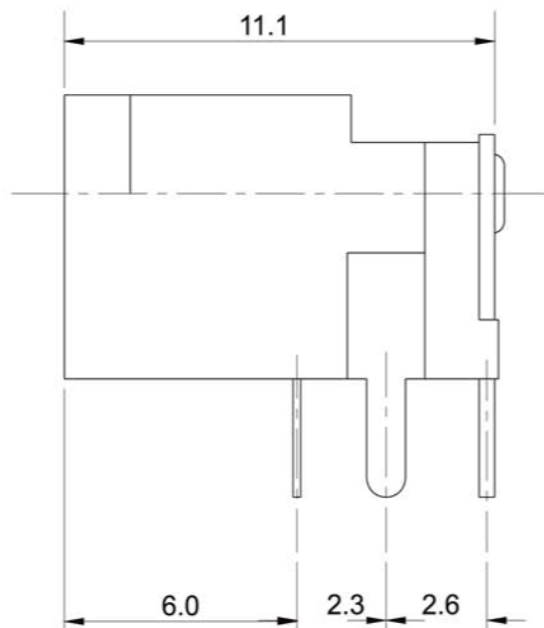
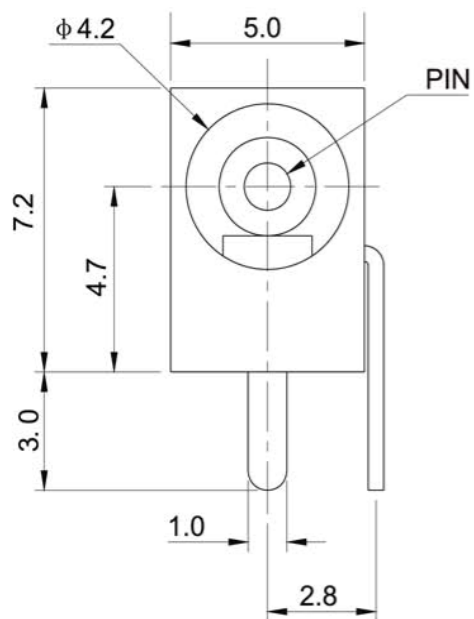


Direction	A		
Date	02/12/24		



PIN	φ0.7	φ1.0	φ1.1	φ1.3
APPD				

DC-002	DC-002-1

6	Contact Pin	H59 Brass Rod	1	Silver-plating
5	Flat Piece	H62 Brass Strip T = 0.30	1	Silver-plating
4	Bent Piece	H62 Brass Strip T = 0.30	1	Silver-plating
3	Reed	65 Manganese Steel Strip T = 0.20	1	Silver-plating
2	Cover	Nylon	1	(Black)
1	Dock	ABS/Nylon	1	(Black)
part No.	Designation	Materials	Quantity	Plating

TOLERANCE	
UNDER 1	0.05
1-10	0.15
OVER 10	0.25

SHENZHEN KINGHELM ELECTRONIC CO., LTD.			WWW.BDS666.COM	
KH-DC-002-1.3			0755-83044319	
Designation:	DC Power Jack	Model	DC-002	
Drawing:	ZHANG SONG QIANG 2002/12/24	Graduation	Unit	mm
Approval:		PROJECTION		