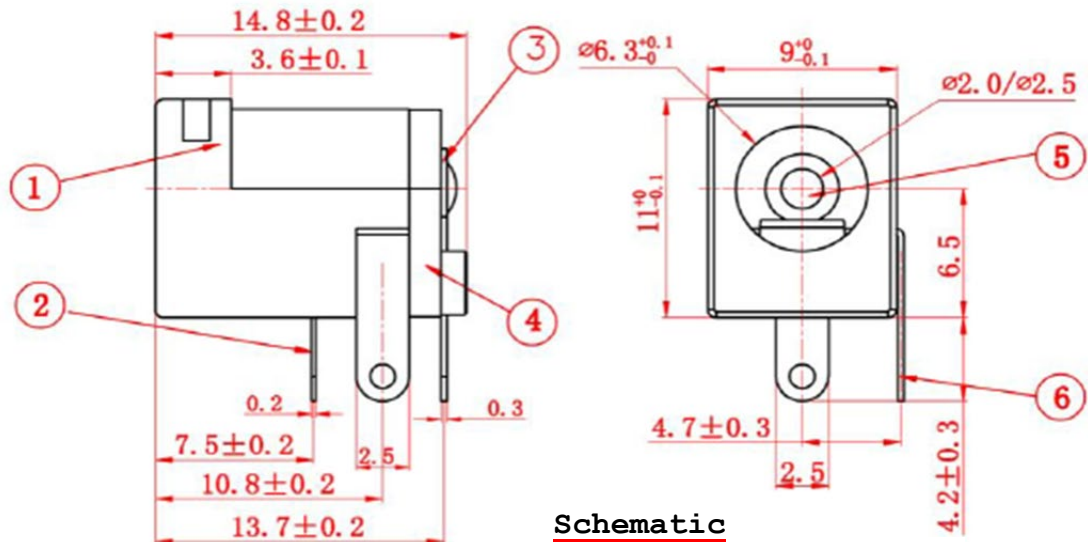
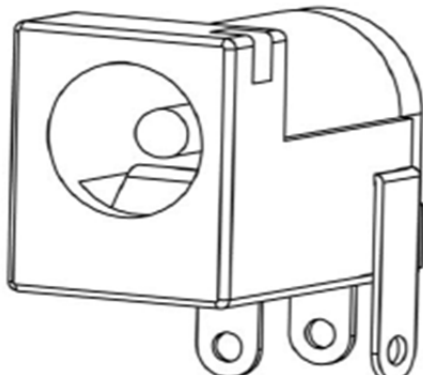
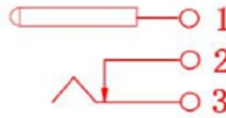


**Kinghelm®**

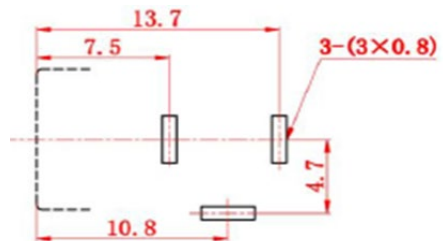


**Schematic**



**Opening Dimension of PCB**

**TOP VIEW**



**Specification:**

Operation condition:  $-30 \sim 70^\circ$

Rating: DC30V 0.5A

Contact resistance:  $\leq 0.03 \Omega$

Insulation resistance:  $\geq 100M\Omega$  DC250V

Withstand voltage: AC500V(50Hz)/min P

Insertion and Extraction Force:  $3 \sim 2$

0 N

Serial Number	Part Number or Code	Designation	Quantity	Materials	Remarks
6	ZY7.750.005	Bent Piece	1	B62 Brass Strip (Y) $\delta = 0.30mm$	
5	ZY7.744.005	Pin	1	H65 Brass Rod $\phi = 2.0mm/\phi 2.5mm$	
4	ZY8.852.005B	Rear Cover	1	PA Engineering Plastics	
3	ZY7.740.005	Flat Piece	1	H62 Brass Strip (Y) $\delta = 0.30mm$	
2	ZY7.730.005	Reed	1	65Mn Manganese Steel Strip $\delta = 0.20mm$	
1	ZY7.810.005B	Base	1	PA Engineering Plastics	

Mark	Number of Revised	Revised Order Number	Signature	Date	SHEN ZHEN KINGHELM ELECTRONIC CO., LTD.		WWW.BDS666.COM		
					KH-DC-005B-2.0		0755-83044319		
					DC-005B		Drawing Mark	Weight	Scale
							1 Page in Total		Page 1
					Electrical Socket				