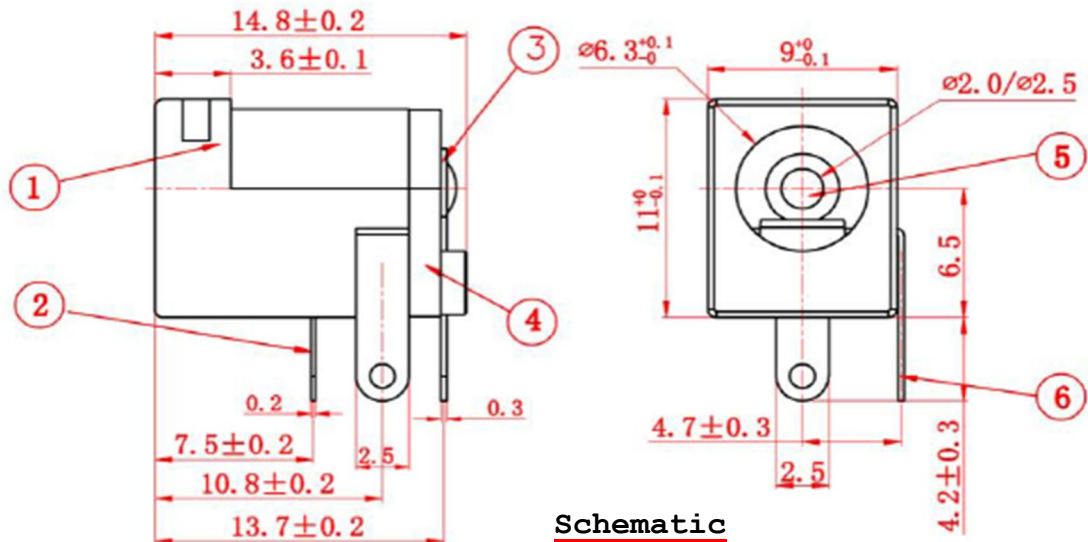
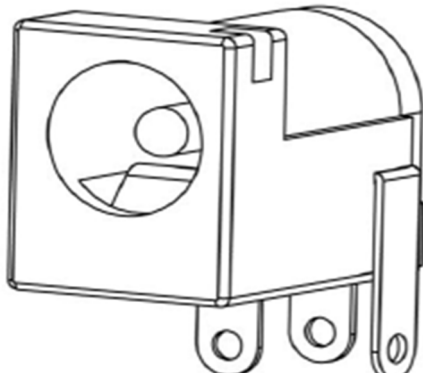
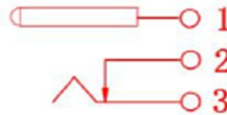


Kinghelm®

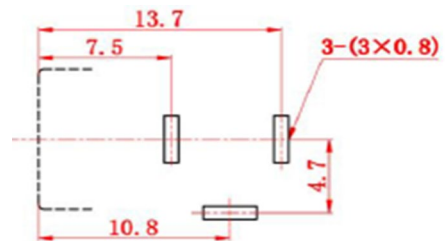


Schematic



Opening Dimension of PCB

TOP VIEW



Specification:

Operation condition: $-30 \sim 70^\circ$
 Rating: DC30V 0.5A
 Contact resistance: $\leq 0.03 \Omega$
 Insulation resistance: $\geq 100M\Omega$ DC250V
 Withstand voltage: AC500V(50Hz)>/min
 Insertion and Extraction Force: $3 \sim 2$
 0 N

Serial Number	Part Number or Code	Designation	Quantity	Materials	Remarks
6	ZY7.750.005	Bent Piece	1	B62 Brass Strip (Y) $\delta = 0.30mm$	
5	ZY7.744.005	Pin	1	H65 Brass Rod $\Phi = 2.0mm / \Phi 2.5mm$	
4	ZY8.852.005B	Rear Cover	1	PA Engineering Plastics	
3	ZY7.740.005	Flat Piece	1	H62 Brass Strip (Y) $\delta = 0.30mm$	
2	ZY7.730.005	Reed	1	65Mn Manganese Steel Strip $\delta = 0.20mm$	
1	ZY7.810.005B	Base	1	PA Engineering Plastics	

					SHEN ZHEN KINGHELM ELECTRONIC CO., LTD.		WWW.BDS666.COM				
					KH-DC-005B-2.5		0755-83044319				
Mark	Number of Revised	Revised Order Number	Signature	Date	DC-005B		Drawing Mark	Weight	Scale		
Drawn		JiRen Lai					A B		1:1		
Designed		SongQiang Zhang					1 Page in Total		Page 1		
Checked		SongQiang Zhang					Electrical Socket				
Craft											
Standardized											
Approved											