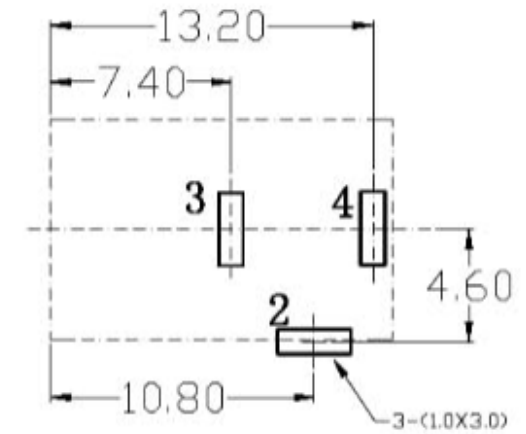
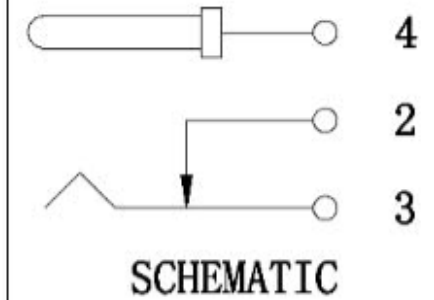
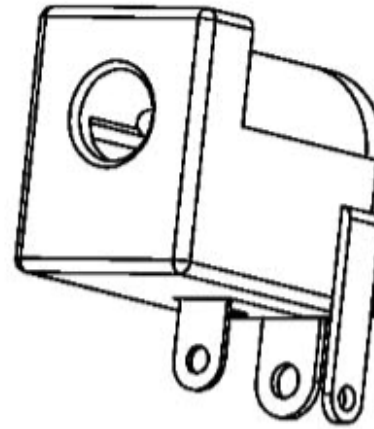
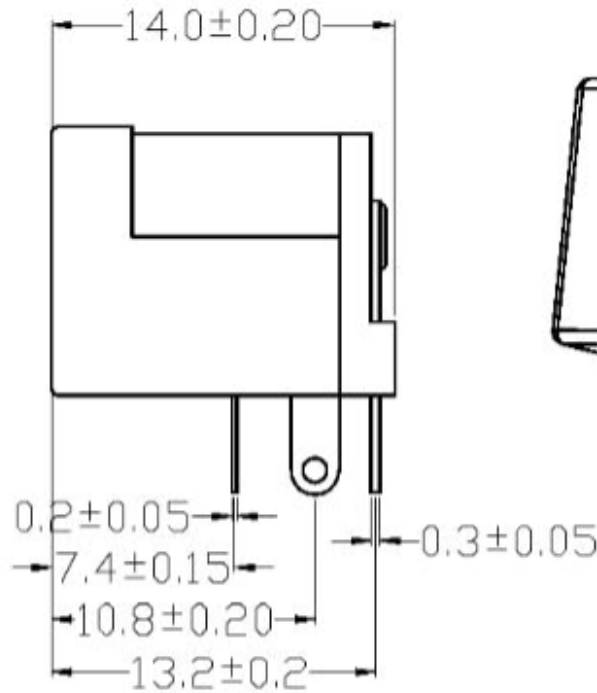
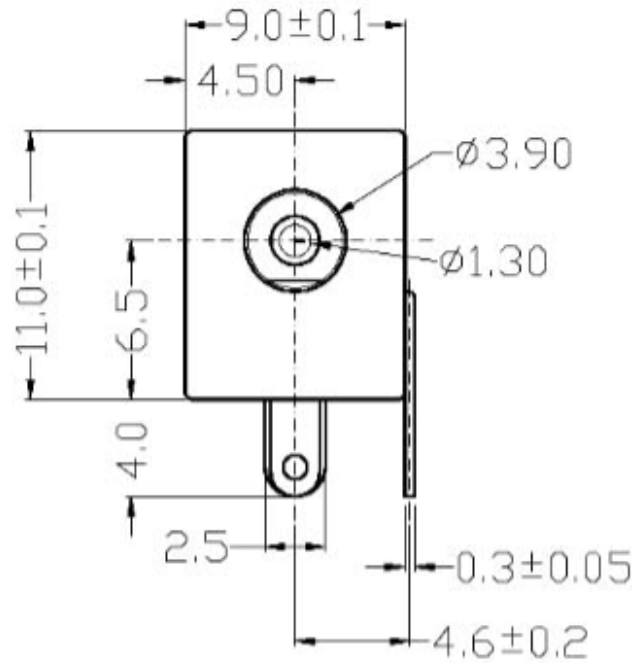
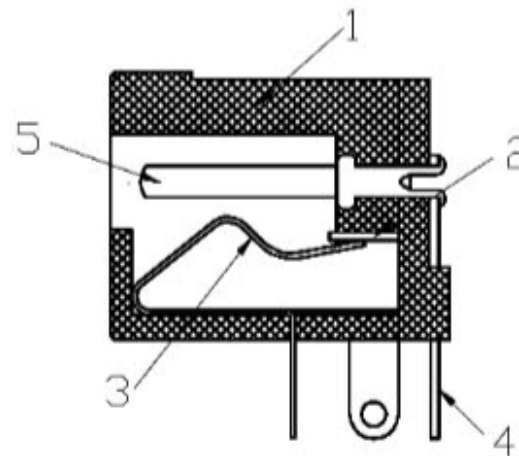
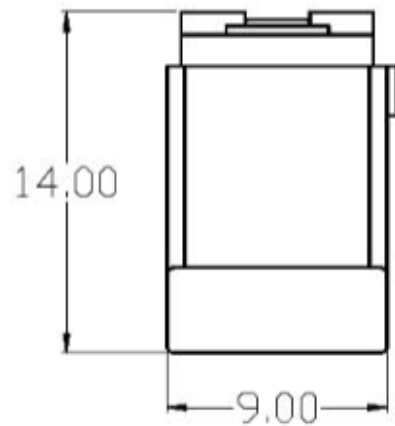


REV.	ECN NO.	LOCAS.	DESCRIPTION	DATE	DESIGN
A0				081018	HANG
C					HANG



PIN	∅1.3	∅2.0	∅2.5
APPD	✓		



**SPECIFICATION:**

- 1.RATING:DC 30V 0.5A
- 2.CONTACT RESISTANCE:30mΩ Max
- 3.INSULATION RESISTANCE:100MΩ (DC250V) Min
- 4.WITHSTAND VOLTAGE:500VAC
- 5.INSERTION AND EXTRACTION FOCE:3-20N
- 6.LIFE TEST:5000 CYCLES

NO.	PARTS	MATERIALS	Q'TY	FINISH
5	PLUG PIN	BRASS	1	NI PLATED
4	CONTACT 4#	BRASS STRIP	1	Ag PLATED OVER NI
3	CONTACT 3#	BRONZE STRIP	1	Ag PLATED OVER NI
2	CONTACT 2#	BRASS STRIP	1	Ag PLATED OVER NI
1	HOUSING	NYLON/PA66+F.G	1	BLACK

DIM	TOL	DIM	TOL
X.	±0.30	X'	±4.0'
X.X	±0.25	X.X'	±3.0'
X.XX	±0.20	X.XX'	±2.0'
X.XXX	±0.05	X.XXX'	±1.0'

SHENZHEN KINGHELM ELECTRONIC CO., LTD.			WWW.BDS666.COM		
<b>KH-DC-005C-1.3</b>			<b>0755-83044319</b>		
DRAW NO.	DATE	DRAW NAME:			
Designed	HANG	<b>DC POWER JACK</b>			
Checked	WANGCM	P/N NO.	DC-09005C-13	FILE:	
APPROVED	HUYX	UNIT:	SHEET:	MODEL:	
		mm	N/A	REV. C	SCALE N/A