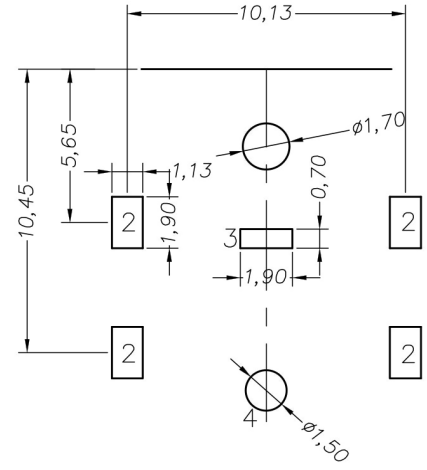
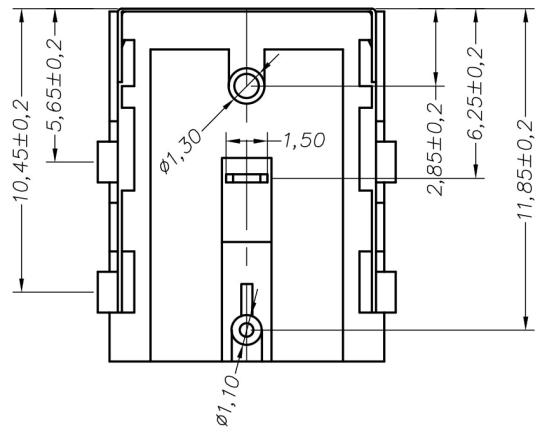
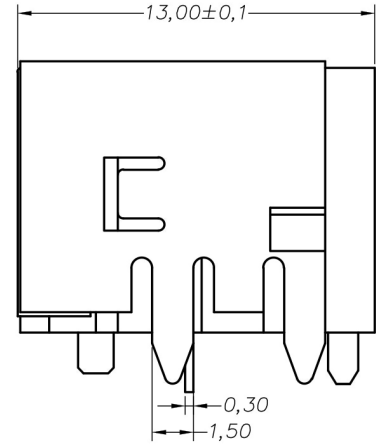
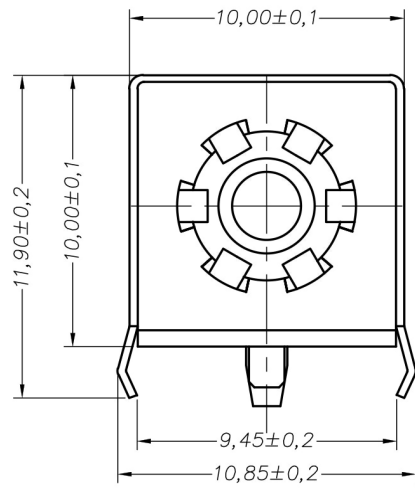
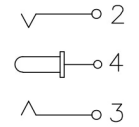


Main technical performance		Tolerance
Rated electrical load	DC 50V/3.0A	X±0.20
Contact Resistance	≤0.08Ω	X±0.10
Insulation Resistance	≥100MΩ	.XX±0.05
Withstand Voltage	AC2000 (50Hz)/min	.XXX±0.02
Insertion and Extraction Force	2-25N	X°±5°
Range of Intensity in Use	=-30-70°C	X°±2°
Service Life	5000次	X*±1*

**Kinghelm®**



P. C. B LAYOUT TOP VIEW



SCHEMATIC

5	DC-091-05	Positioning Piece	1	Nylon (Black)		
4	DC-091-04	Round Pin	1	Brass		Silver-plating
3	DC-091-03	Wrapping Ring	1	Phosphor Bronze	0.30	Silver-plating
2	DC-091-02	Cover Base	1	Brass	0.30	Silver-plating
1	DC-091-01	Dock	1	Nylon 9T(Black)		
Serial Number	Item No	Designation	Quantity	Materials	Specifications	Electroplating
Designed	Lai Jiren	Review		<b>SHENZHEN KINGHELM ELECTRONIC CO., LTD.</b> WWW. BDS666. COM KH-DC-007B-2.1G 0755-83044319 DC Power Jack		
Edition	A1	Approval				
Date	2014.06.24					
Visual Angle		Weight	Scale			
			4:1			
6 sheets in total			First Sheet			