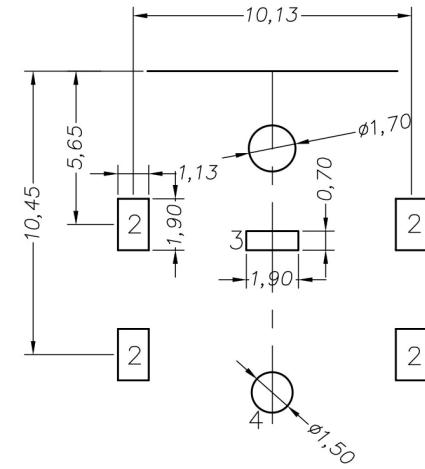
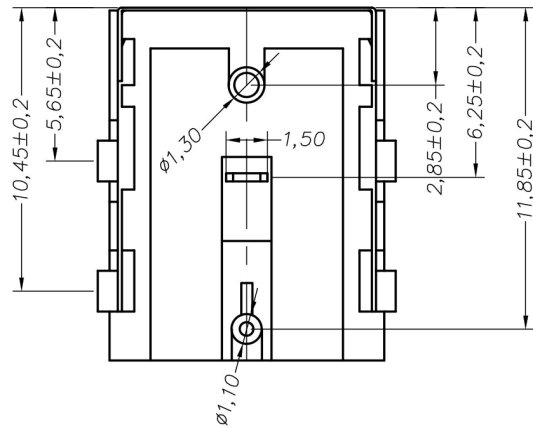
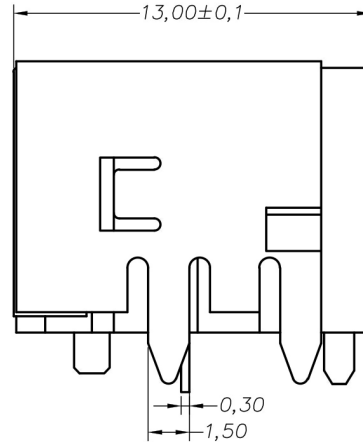
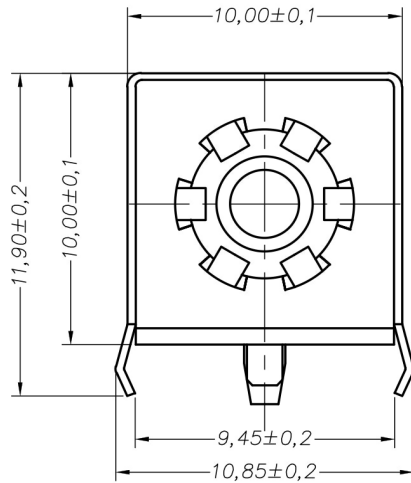
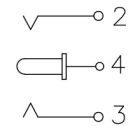


Main technical performance		Tolerance
Rated electrical load	DC 50V/3.0A	X \pm 0.20
Contact Resistance	\leq 0.03 Ω	X \pm 0.10
Insulation Resistance	\geq 100M Ω	.XX \pm 0.05
Withstand Voltage	AC2000 (50Hz)/min	.XXX \pm 0.02
Insertion an Extraction Force	2-25N	X° \pm 5°
Range of Intensity in Use	=-30-70°C	X° \pm 2°
Service Life	5000次	X° \pm 1°

Kinghelm®



P. C. B LAYOUT TOP VIEW



SCHEMATIC

5	DC-091-05	Positioning Piece	1	Nylon (Black)		
4	DC-091-04	Round Pin	1	Brass		silver-plating
3	DC-091-03	Wrapping Ring	1	Phosphor Bronze	0.30	silver-plating
2	DC-091-02	Cover Base	1	Brass	0.30	silver-plating
1	DC-091-01	Dock	1	Nylon 9T(Black)		
Serial Number	Item No	Designation	Quantity	Materials	Specifications	Electroplating
Designed	Lai Jiren	Review		SHENZHEN KINGHELM ELECTRONIC CO., LTD. WWW.BDS666.COM KH-DC-007B-2.5G 0755-83044319 DC Power Jack		
Edition	A1	Approval				
Date	2014.06.24					
Visual Angle		Weight	Scale			
			4:1			
6 sheets in total			First Sheet			