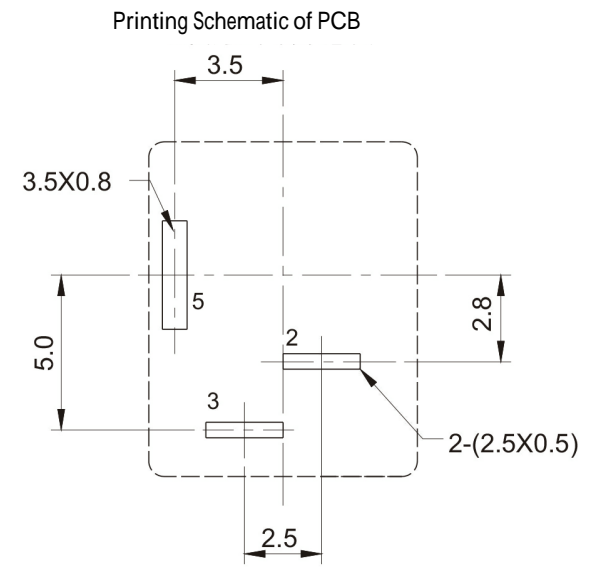
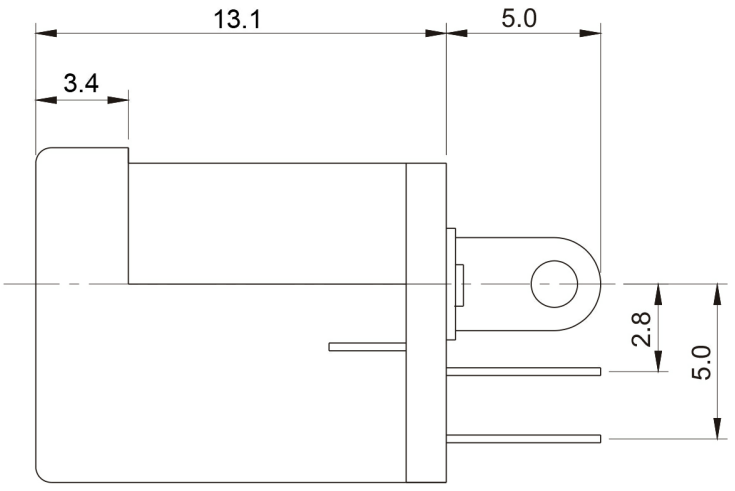
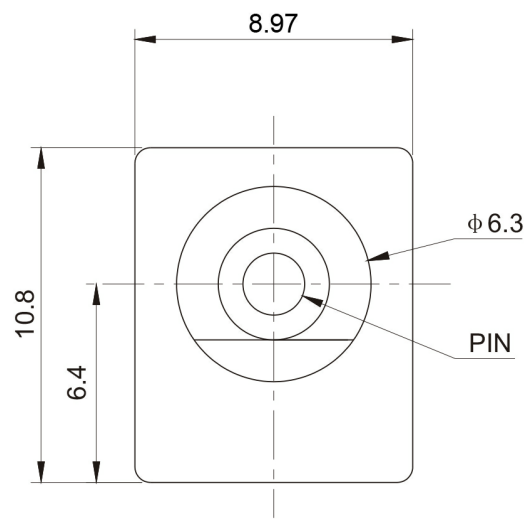
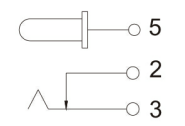


Direction	A		
Date	08/12/01		



PIN	Φ1.65	Φ2.0	Φ2.35	Φ2.5
APPD				



6	Contact Pin	H59 Brass Rod	1	Cu-Sn			<b>SHENZHEN KINGHELM ELECTRONIC CO., LTD. KH-DC-012-2. OL</b>	<b>WWW. BDS666. COM 0755- -83044319</b>				
5	Flat Piece	H62 Brass Strip T = 0.35	1	Cu-Sn								
4	Bent Piece	H62 Brass Strip T = 0.30	1	Cu-Sn								
3	Reed	65 Manganese Steel Strip T = 0.20	1	Cu-Sn	TOL ERANCE							
2	Cover	Phenolic Laminate T = 1.20	1	Sn-Sb	UNDER 1	±0.05	Designation:	DCElectrical Socket	Model	DC-012		
1	Base	ABS/Nylon	1	(Black)	1-10	±0.15	Drawn	Lai Jiren	0812/01	Graduation	Unit	mm
Serial No	Designation	Materials	Quantity	(Black)	OVER 10	±0.25	Approved			PROJECTI ON	↗	⊕