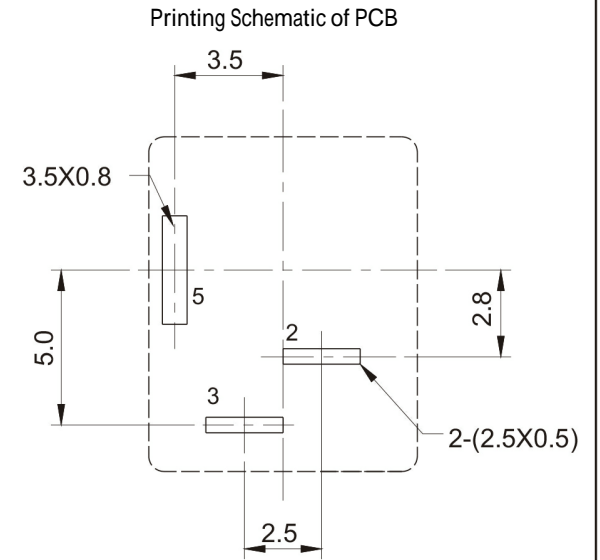
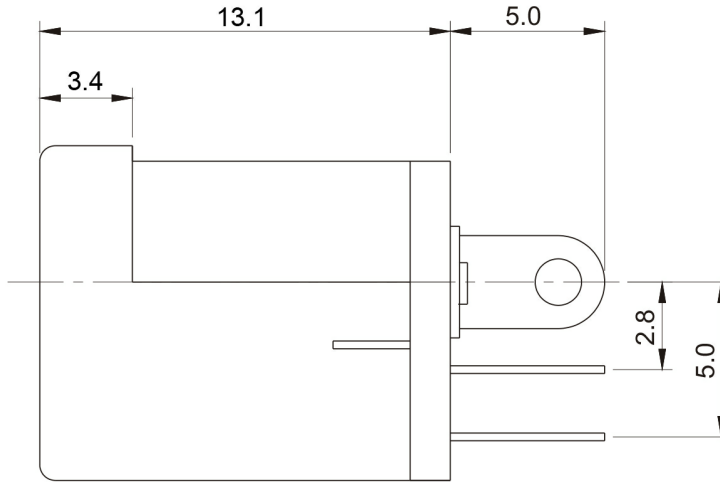
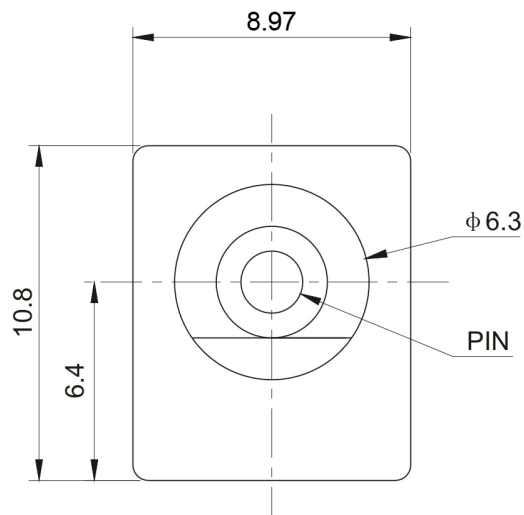
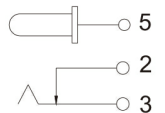


Direction	A		
Date	08/12/01		



PIN	$\phi 1.65$	$\phi 2.0$	$\phi 2.35$	$\phi 2.5$
APPD				



6	Contact Pin	H59 Brass Rod	1	Cu-Sn								
5	Flat Piece	H62 Brass Strip T = 0.35	1	Cu-Sn			SHENZHEN KINGHELM ELECTRONIC CO., LTD. KH-DC-012-2.5L	WWW.BDS666.COM 0755- -83044319				
4	Bent Piece	H62 Brass Strip T = 0.30	1	Cu-Sn								
3	Reed	65 Manganese Steel Strip T = 0.20	1	Cu-Sn								
2	Cover	Phenolic Laminate T = 1.20	1	Sn-Sb	UNDER 1	$\pm 0.05$	Designation:	DCElectrical Socket	Model   DC-012			
1	Base	ABS/Nylon	1	(Black)	1-10	$\pm 0.15$	Drawn	Lai Jiren	0812/01	Graduation	Unit	mm
Serial No	Designation	Materials	Quantity	(Black)	OVER 10	$\pm 0.25$	Approved			PROJECTI ON		