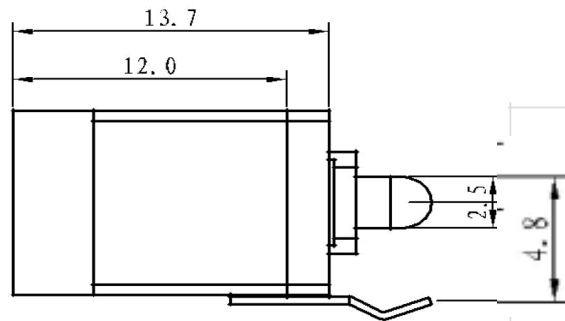
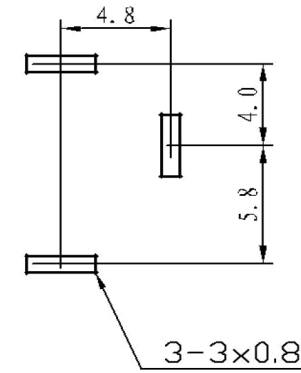


Schematic of PCB Installation Dimensions

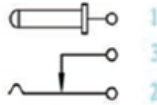


Technical Specifications

Operation Condition: -40~55
 Rated Load: DC 30V 0.5A
 Contact Resistance: $\leq 0.03\Omega$
 Insulation Resistance: $\geq 100M\Omega$ DC250V
 Withstand Voltage : AC 500V(50Hz)/min
 Insertion-withdrawal Force: 2~20N
 Service Life: 5000times

TOLERANCE: UNLESS OTHERWISE SPECIFIED		
UNOER	1.5 ± 0.05	1.5 ~ 10 ± 0.1
		OVER 10 ± 0.2

Schematic of PCB



6	Cover	IPCS connector	Phenolic Paper Laminate T = 1.6	Yellow	
5	Dock	IPCS connector	PA66	Black	
4	Contact Pin	IPCS connector	H59-1 Brass ϕ -2.0	Electroplating: Nickel	
3	Static Wafer	IPCS connector	H62 Brass L = 0.40	Electroplating: Tin	
2	Movable W	IPCS connector	Phosphor Bronze t = 30	Electroplating: Tin	
1	Pins	IPCS connector	H62 Brass t-0.30	Electroplating: Tin	
Serial Number	Number of	Designation	Quantity	Materials	Remarks

					SHEN ZHEN KINGHELM ELECTRONIC CO., LTD.	WWW.BDS666.COM		
						0755-83044319		
Mark	Number of Revised	Revised Order Number	Signature	Date	KH-DC-013-2.0Cu	Drawing Mark	Weight	Scale
					DC-013	A B		1:1
Drawn						Electrical Socket	1 Page in Total	
Designed								
Checked								
Craft								
Standardized								
Approved								