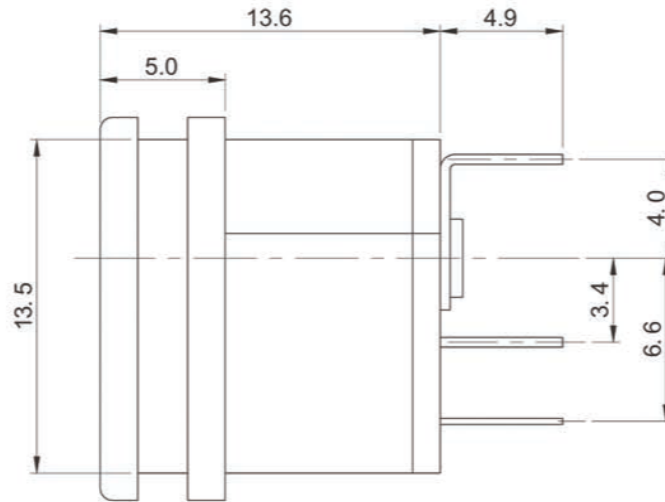
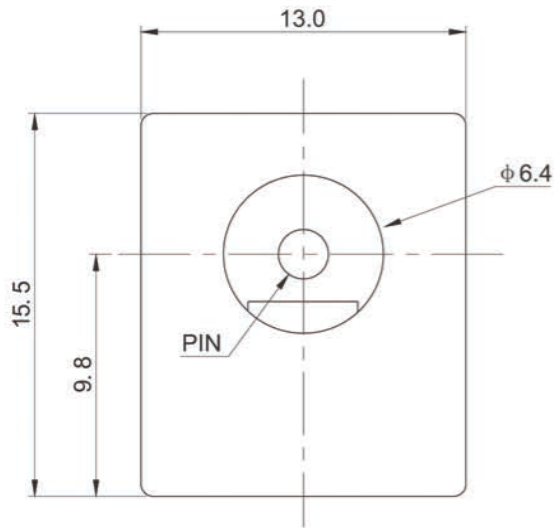
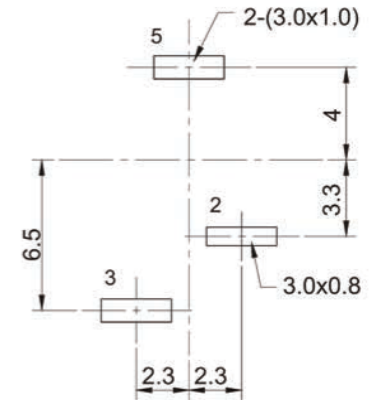


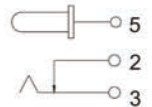
Direction	A		
Date	02/12/24		



Printing Schematic of PCB



PIN	φ2.0	φ2.5
APPD		



6	Contact Pin	H59 Brass Rod	1										
5	Flat Piece	H62 Brass Strip T = 0.35	1										
4	Bent Piece	H62 Brass Strip T = 0.30	1	Cu-Sn									
3	Reed	65 Manganese Steel Strip T = 0.20	1	Sn-Sb									
2	Cover	Phenolic Laminate T = 1.20	1		UNDER 1	±0.05	Designation:	DCElectrical Socket	Model	DC-015			
1	Base	ABS	1	(Black)	1-10	±0.15	Drawn	Lai Jiren	0812/01	Graduation	Unit	mm	
Serial Number	Designation	Materials	Quantity	Plating	OVER 10	±0.25	Approved				PROJECTI ON		

SHENZHEN KINGHELM
ELECTRONIC CO., LTD.
KH-DC-015-2.0

WWW. BDS666. COM
0755- -83044319