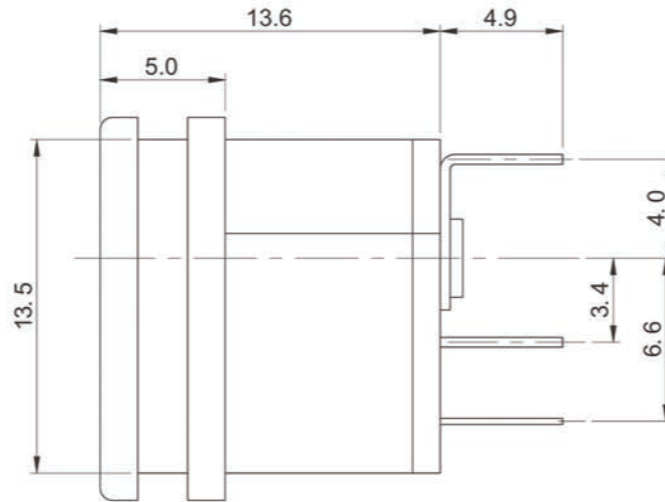
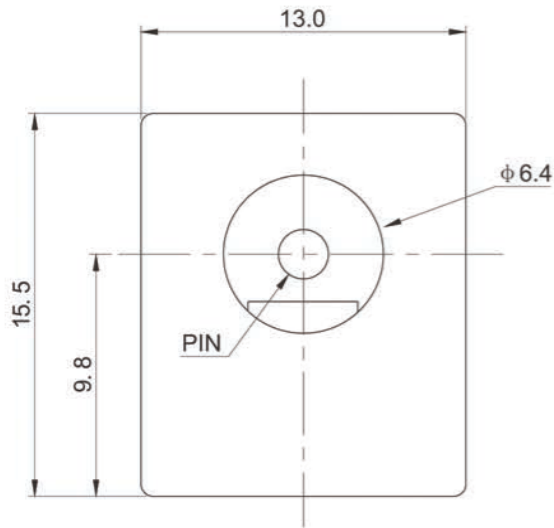
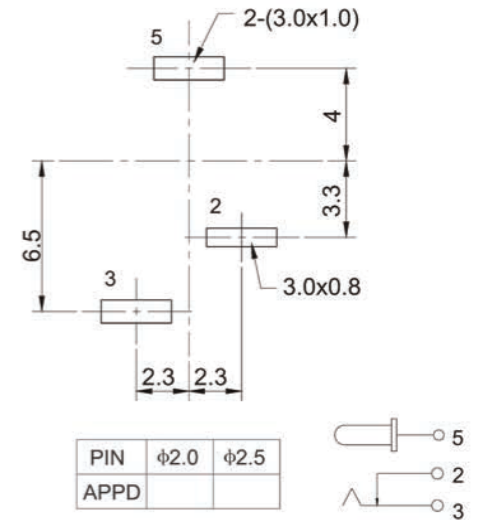


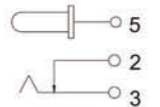
Direction	A		
Date	02/12/24		



Printing Schematic of PCB



PIN	φ2.0	φ2.5
APPD		



6	Contact Pin	H59 Brass Rod	1												
5	Flat Piece	H62 Brass Strip T = 0.35	1												
4	Bent Piece	H62 Brass Strip T = 0.30	1	Cu-Sn											
3	Reed	65 Manganese Steel Strip T = 0.20	1	Sn-Sb											
2	Cover	Phenolic Laminate T = 1.20	1		UNDER 1	±0.05									
1	Base	ABS	1	(Black)	1-10	±0.15									
Serial Number	Designation	Materials	Quantity	Plating	OVER 10	±0.25									
										TOL ERANCE		SHENZHEN KINGHELM ELECTRONIC CO., LTD. KH-DC-015-2. 5		WWW. BDS666. COM 0755- -83044319	
										Designation:		DCElectrical Socket		Model DC-015	
										Drawn		Lai Jiren 0812/01		Graduation	
										Approved				Unit mm	
												PROJECTI ON		⊕ ⊗	