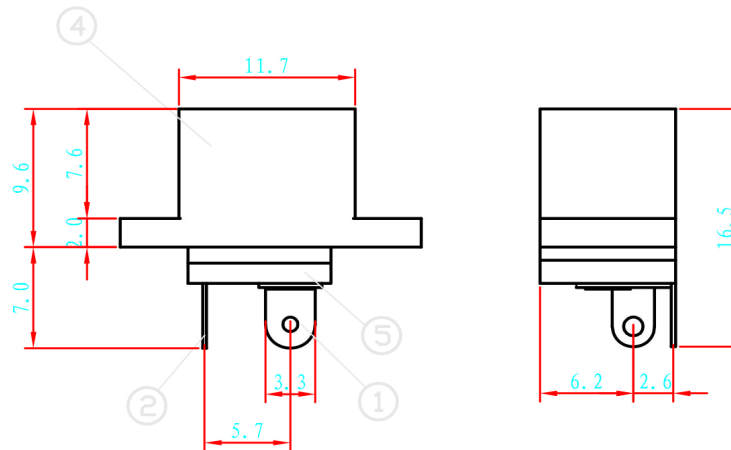
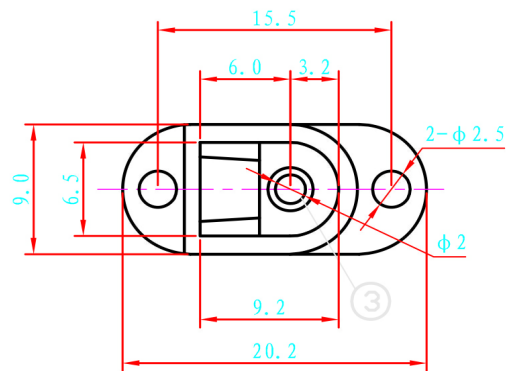
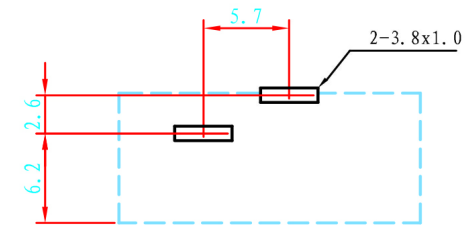


Kinghelm®



Schematic of PCB Installation Dimensions



Technical Specifications

Operation Condition: - 40 ~ 55°C

Rated Load: DC 30V 0 SA

Contact Resistance: ≤ 0.03

Insulation Resistance: $\geq 100M\Omega$ DC250V

Withstand Voltage: AC 500V (50Hz)/min

Insertion-withdrawal Force: 3~20N

Mechanical Life: 5000 times

TOLERANCE: UNLESS OTHERWISE SPECIFIED		
UNOER 1.5 ± 0.05	1.5 ~ 10 ± 0.1	OVER 10 ± 0.2

		6		COVER	IPCS	PA(Black)		
		5		Dock	IPCS	PA(Black)		
		4		Contact Pin	IPCS	H59-1 Brass $\phi=2.0$	Environmental-friendly	
		3		Static Wafer	IPCS	H62 Brass t = 0.30	Environmental-friendly	
		2		Movable W	IPCS	Manganese Steel = 3.0	Environmental-friendly	
		1		Pins	IPCS	H62 Brass t = 0.35	Environmental-friendly	
		Serial No	Number or C	Designation	Quantity	Materials	Remarks	
						SHEN ZHEN KINGHELM ELECTRONIC CO., LTD.		
						WWW.BDS666.COM		
						0755-83044319		
Mark	Number of Marks	Change of Document Number	Signature	Date	KH-DC-016-2.0			
Drawing					DC-016	Drawing Mark	Weight	Scale
Design						A	B	1:1
Review						1 Page in Total Page 1		
Process					Electrical Socket			
Standardization								
Approval								