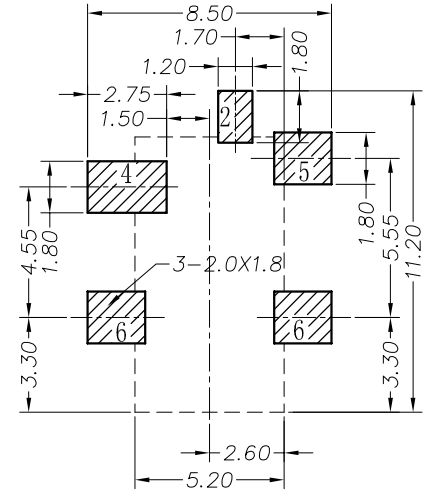
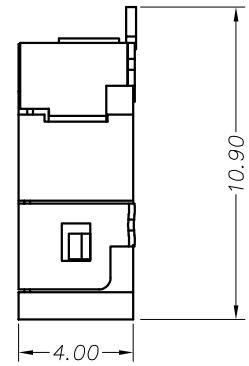
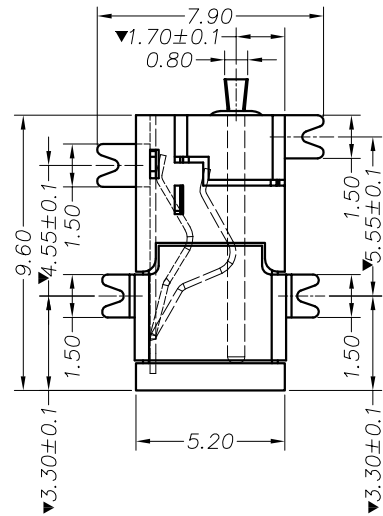
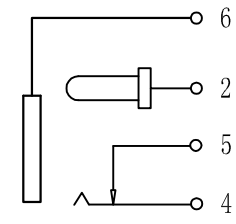
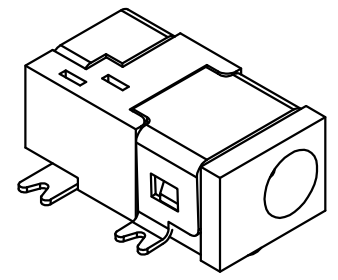
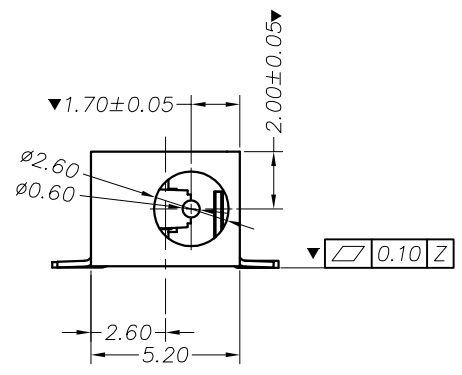


# Kinghelm®

Correction (Marking)	Description	Date
----------------------	-------------	------



P. C. B LAYOUT TOP VIEW



No.	Product No.	Product name	Quantity	Material	Specification	finished
6	DC-041-06	Cover Base	1	Brass	0.2T	Silver-plating
5	DC-041-05	Inserting Piece Base	1	Brass	0.25T	Silver-plating
4	DC-041-04	Flexible Piece Base	1	Bronze-Plating	0.2T	Silver-plating
3	DC-041-03	Round Pin	1	Brass	0.3T	Silver-plating
2	DC-041-12	Cover	1	Brass		Silver-plating
1	DC-041-01	Base	1	PPA		Black

Main Technical Properties	Tolerance
Rated Electrical Load	DC 80V/0.5A
Contact Resistance	≤0.08Ω
Insulation Resistance	≥200MΩ
Vibrating Voltage	AC800V(-z)/min
Insertion/Withdrawal Force	2.20N
Range of Operating Temperature	-30℃~+70℃
Service Life	5000 times

Designed	Jiangyuanjiao	Department Countersignature			SHENZHEN KINGHELM ELECTRONIC CO., LTD.  WWW.BD5666.COM  KH-DC-041-0.7  DCElectrical Socket DC-041
Edition	A1	Assembly Department			
Date	2010.03.02	Injection Department			
Material		Stamping Department			
Craft		Visual Angle	Weight	Scale	
Quantity					
Checked					41
Approved					
		7 sheets in total	Page 1		