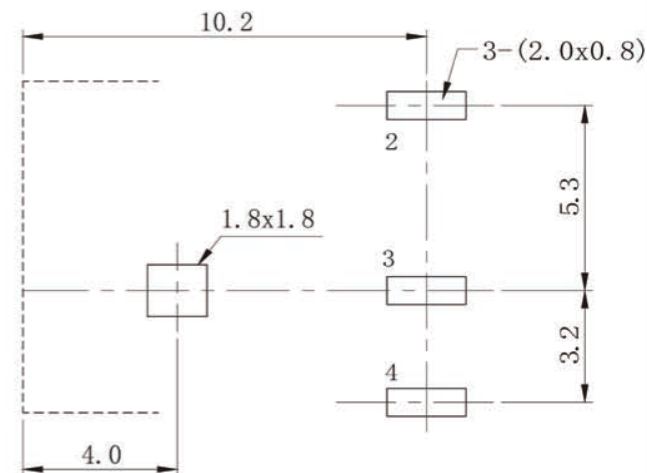
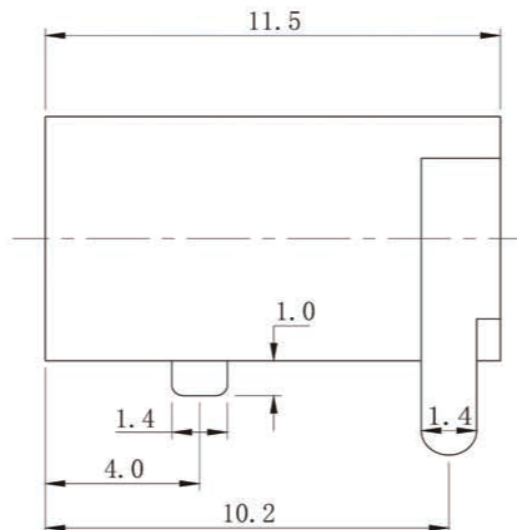
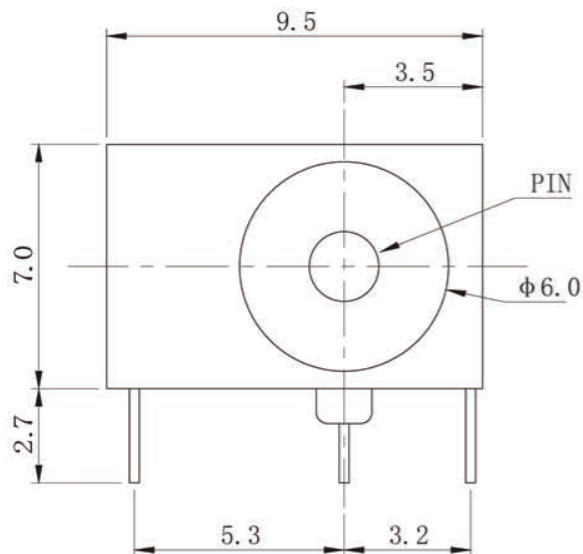
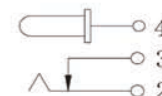


REV	A		
DATB	08/12/24		

P. C. B LAYOUT TOP VIEW



PIN	Φ1.65	Φ2.0	Φ2.5
APPD			



NO	PART	MATERIAL	QTY	REMARKS
7	TERMINAL-3	BRASS-0.4T	2	Tin Plating
6	TERMINAL-2	BRASS-0.4T	2	Tin Plating
5	TERMINAL-1	BRASS-0.5T	2	Tin Plating
4	SOCKET	BRASS-0.4T	4	Tin/Gold Plating
3	UP&DOWN COVER	ABS	2	BLACK
2	WASHER	ABS	4	
1	HOUSING	ABS	1	BLACK

TOLERANCE	
UNDER 1	±0.05
1-10	±0.15
OVER 10	±0.25

SHENZHEN KINGHELM ELECTRONIC CO., LTD.			WWW.BDS666.COM		
KH-DC-044-2.5			0755-83044319		
TITLE:	DC POWER JACK	ITEM NO	DC-044		
Drawn:	Lai Jiren	08/12/24	SCALE	UNIT	mm
Approved:			PROJECTION		