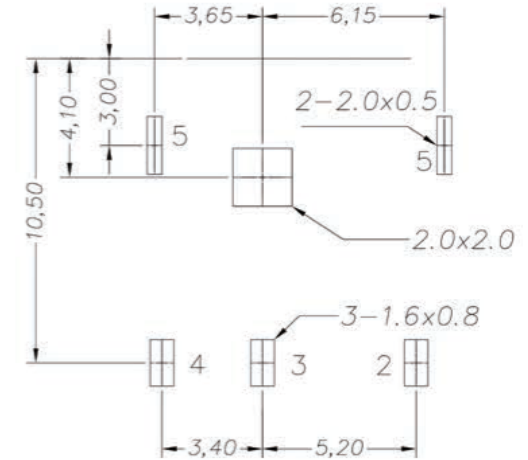
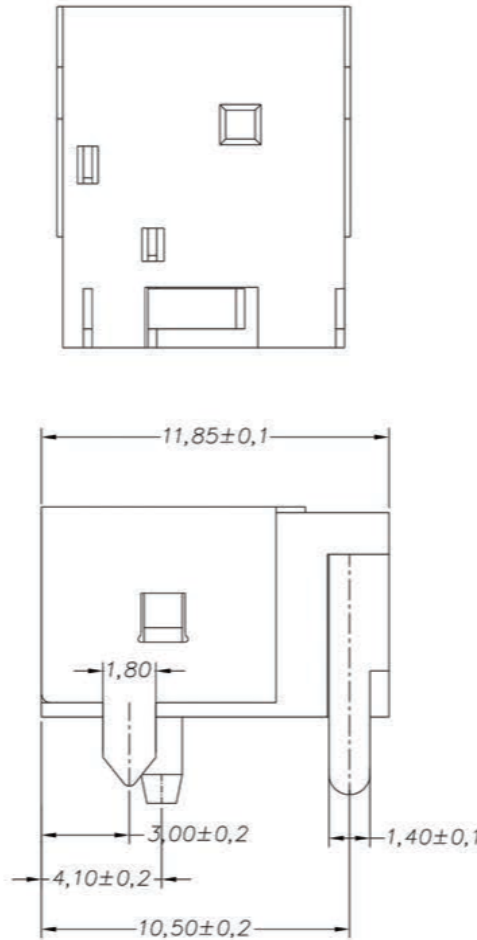
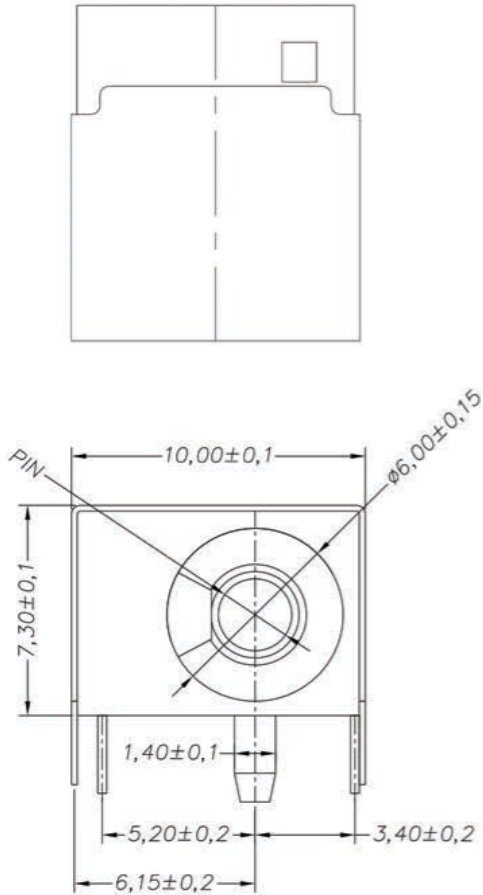


| Correction (Marking) | Description | Date |
|----------------------|-------------|------|
| | | |

| Main Technical Properties | Tolerance |
|--------------------------------|----------------------------------|
| Rated Electrical Load | DC: 30V/1.0A X. ±0.20 |
| Contact Resistance | ≤0.01Ω . X ±0.10 |
| Insulation Resistance | ≥100MΩ . XX ±0.05 |
| Withstand Voltage | AC500V (50Hz)/min . XXX ±0.02 |
| Insertion-withdrawal Force | 3-20N X' ±5° |
| Range of Operating Temperature | -30-70°C . X' ±2° |
| Service Life | 5000次 . XX ±1° |



P. C. B LAYOUT TOP VIEW

| PIN | φ1.65 | φ2.0 | φ2.5 |
|------|-------|------|------|
| APPO | | | |

| | | | | | | |
|---------------|---------|-----------------|----------|-----------------------------|---------------|----------------|
| 7 | | | | | | |
| 6 | DC-044B | Center Pin | 1 | H62 Brass Rod | | Cu-Sn |
| 5 | DC-044B | Cover Plate | 1 | H62 Brass Strip | T=0.2 | Nickel-Plating |
| 4 | DC-044B | Flat Piece | 1 | H62 Brass Strip | T=0.3 | Zhongyin |
| 3 | DC-044B | Inserting Piece | 1 | H62 Brass Strip | T=0.3 | Zhongyin |
| 2 | DC-044B | Flexible Piece | 1 | H65 Phosphorus copper strip | T=0.3 | Zhongyin |
| 1 | DC-044B | Base | 1 | PPA | | Black |
| Serial Number | Item No | Designation | Quantity | Material | Specification | Electroplating |

| Schematic | Visual Angle | Designed | Department Countersignature |
|-----------|--------------|-----------------------------------|--|
| | | Edition: A 2 Date: 2017.09.20 | Assembly Department: _____ Stamping Department: _____ Injection Department: _____ Marketing Department: _____ |
| | Scale: 4:1 | Checked: _____ Approved: _____ | 6 sheets in total Sheet 4 |

| | |
|---------------|----------------------|
| Product name: | DC Electrical Socket |
| Model: | DC-044B |
| | WWW.BDS666.COM |
| | 0755-83044319 |

SHENZHEN KINGHELM ELECTRONIC CO., LTD.
KH-DC-044B-2.0