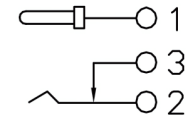
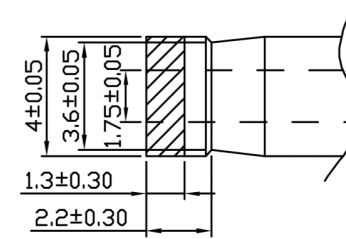
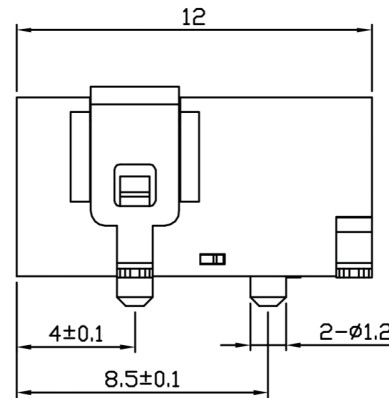
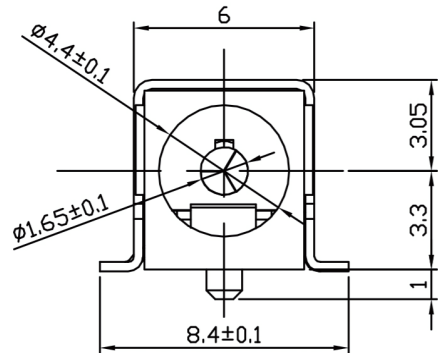
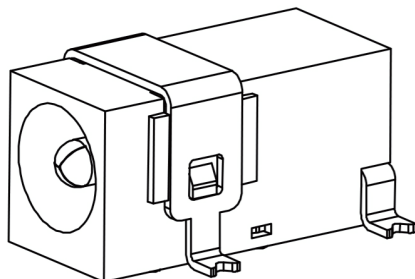


PCB LAYOUT TOP VIEW



CIRCUIT DIAGRAM



No.	PART NAME	QTY	MATERIAL (THICK, COLOR)	REMARK
⑤	HOUSING PH-DC-0507-L.6B	1	PA-9T2330 (BLACK)	
④	TERMINAL MT-DC-0507-4Q.6S	1	BRASS t=0.30	Ag-Plated
③	TERMINAL MT-DC-0507-3Q.6S	1	BRASS t=0.30	Ag-Plated
②	TERMINAL MT-DC-0507-2Q.6S	1	PHOSPHOR BRONZE t=0.30	Ag-Plated
①	TERMINAL MT-DC-0507-1Q.6S	1	BRASS t=0.30	Ag-Plated

Marker	Describe	Data	DSND	Approval			UNIT: mm	NAME: DC POWER JACK
				Designed	Lai Jiren	DATE	2009. 03. 12	SCALE: 4 : 1
				Checked		DATE		VIEW:
				Approved		DATE		CAT. NO. DC-098
UNSPECIFIED TOLERANCE				SHENZHEN KINGHELM ELECTRONIC CO., LTD.			WWW.BDS666.COM	DWN. NO. Q/XL-QW-001A-0106
≤4	4-16	≥16	ANGULAR	KH-DC-098-1.65STM			0755-83044319	
±0.15	±0.20	±0.30	±5°					