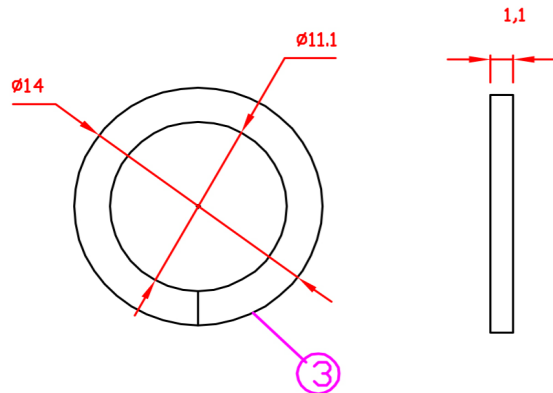
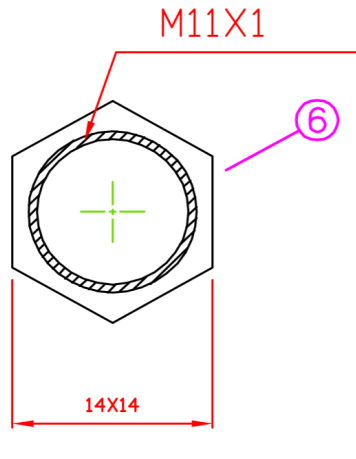
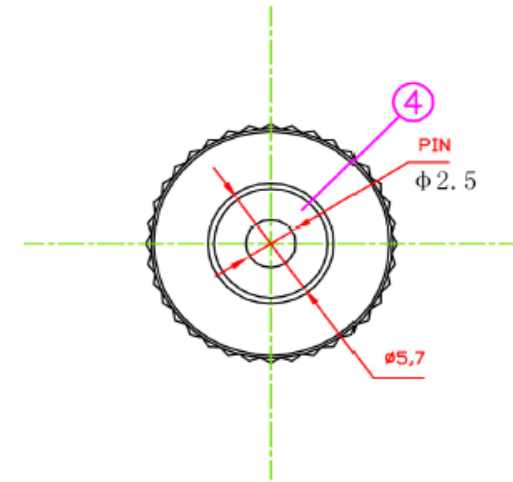
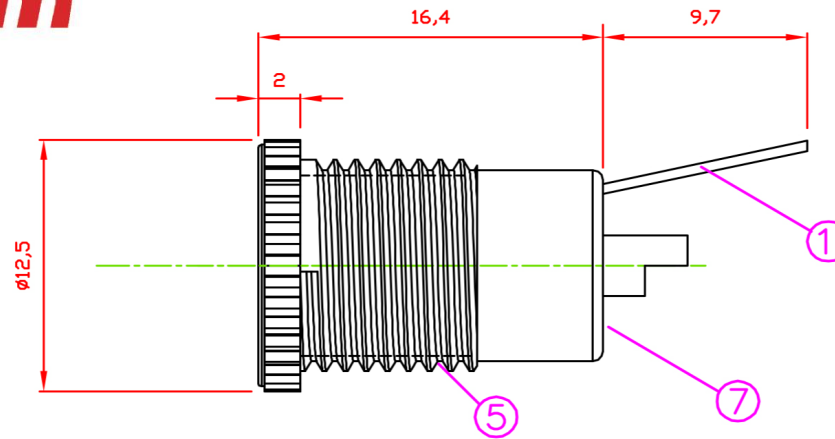
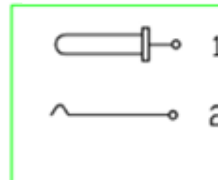


Kinghelm®



PIN	Ø2.0	Ø2.5
PIN	Ø1.3	Ø1.65

Schematic of PCB



8					Environmental-friendly
7		Base	pb1		Environmental-friendly
6		Nut	H59-1 Brass Rod	Electroplating: Nickel	Environmental-friendly Electroplating
5		Shaft Sleeve	H59-2 Brass Rod	Electroplating: Nickel	Environmental-friendly Electroplating
4		Contact Pin	H59-1 Brass	Electroplating: Copper	Environmental-friendly
3		Gasket	Iron	Electroplating: ct	Environmental-friendly
2					Environmental-friendly
1		Pins	Phosphor Bronze t=0.50		Environmental-friendly
	Serial Number	Part Number or Code	Designation	Materials	Remark

		Revised Order Number		DC Power Jack		DC-099		
Mark	Number of Revised Marks	Change of Document Number	Signature					
Drawn	g			SHENZHEN KINGHELM ELECTRONIC CO., LTD.		Drawing Mark	Weight	Scale
Designed						A B	1:1	
Checked				WWW. BDS666. COM		1 Page in Total		Page 1
Craft						KH-DC-099-2.5		
Standardized	in			0755-83044319				
Approved								