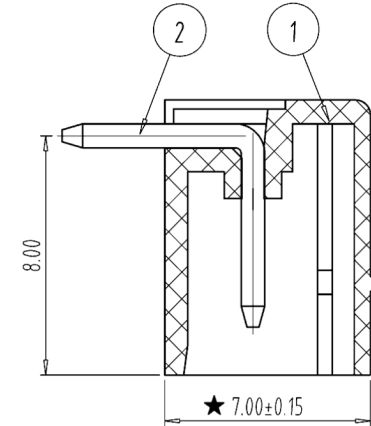
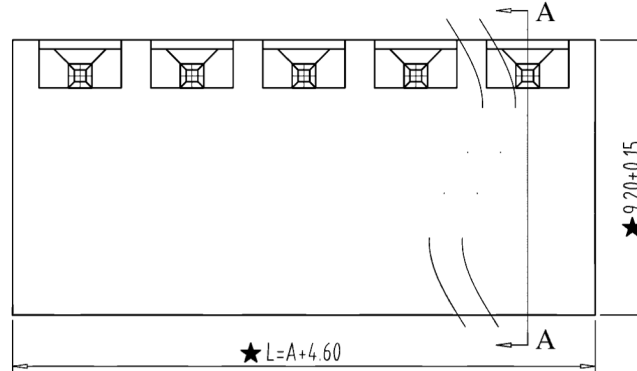
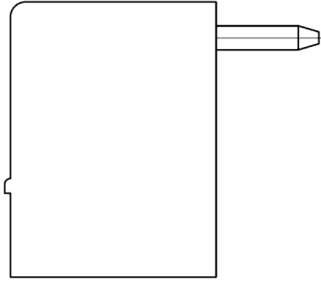
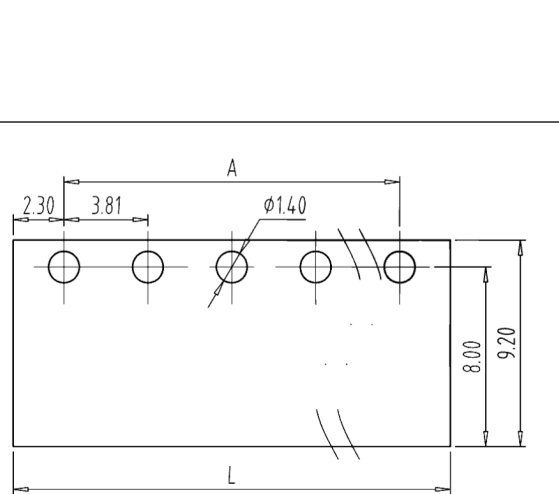


| | | | |
|------|---------|-----|------------|
| REV | CONTENT | CHK | DATE |
| V0.0 | CONTENT | SK | 2014-11-29 |

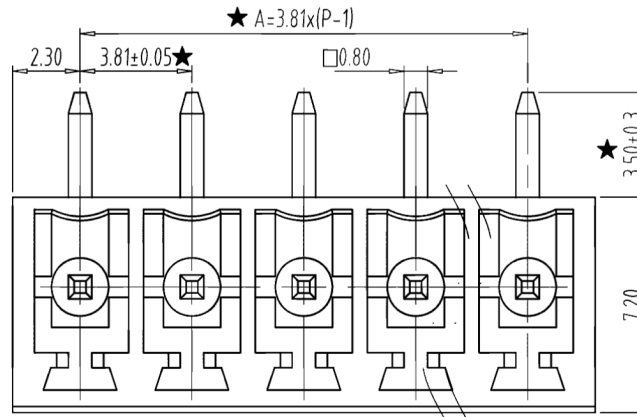
Model : KH-15EDGRC-3.81-4PG



SECTION:A-A



PCB LAYOUT
S=3:1



NOTES:

- 1.Rating:300V 8A ,
- 2.Insulation Withstands Voltage: AC2000V/MIN
- 3.Insulation Resistance: 500MΩ or more at DC500V
- 4.Using Temperature Range: -40°C---+105°C
- 5." ★ " is the important dimension

| | | | | | |
|--|--------------|-------------|----------|------------------|----------------------------|
| 2 | PIN | ZF100B0001 | P | BRASS | Sn Plated |
| 1 | HOUSING | ZF200A0XXXX | 1 | PA66(V0) | |
| ITEM | NAME OF PART | NO. OF PART | Q"TY | MATERIAL | NOTE |
| DWG. | CXL | DATE | 14.06.06 | SIZE | A4 UNITS mm SHEET/OF 1 / 1 |
| CHK. | DATE | | | SCALE | 4:1 15---3.81(11.0) |
| APP. | DATE | | | UWGN0 | 02-ZBF200RXXPX |
| SHENZHEN KINGHELM ELECTRONIC CO., LTD. | | | | WWW. BDS666. COM | |
| KH-15EDGRC-3. 18-4PG | | | | 0755-83044319 | |

| Total Pitch Tolerances in mm | | | | | | | | | | Nominal dimension range in mm | | | | | | | | | | ⊥ | = | - | // | | | |
|------------------------------|---------------|---------------|---------------|----------------|-----------------|-----------------|-----------------|-----------------|--------------|-------------------------------|---------------|---------------|----------------|-----------------|-----------------|-----------------|-----------------|--------------|----------------|-----------------|-----------------|-----|----|--|--|--|
| over 0 to 30 | over 30 to 53 | over 53 to 70 | over 70 to 90 | over 90 to 115 | over 115 to 150 | over 150 to 250 | over 250 to 350 | over 350 to 500 | over 0 to 30 | over 30 to 53 | over 53 to 70 | over 70 to 90 | over 90 to 115 | over 115 to 150 | over 150 to 200 | over 200 to 250 | over 250 to 320 | over 0 to 10 | over 10 to 100 | over 100 to 150 | over 150 to 150 | | | | | |
| ±0.18 | ±0.25 | ±0.3 | ±0.35 | ±0.44 | ±0.60 | ±0.70 | ±0.85 | ±0.20 | ±0.25 | ±0.30 | ±0.35 | ±0.44 | ±0.55 | ±0.70 | ±0.80 | ±0.90 | 0.2 | 0.3 | 0.3 | 0.2 | 0.3 | 0.5 | | | | |