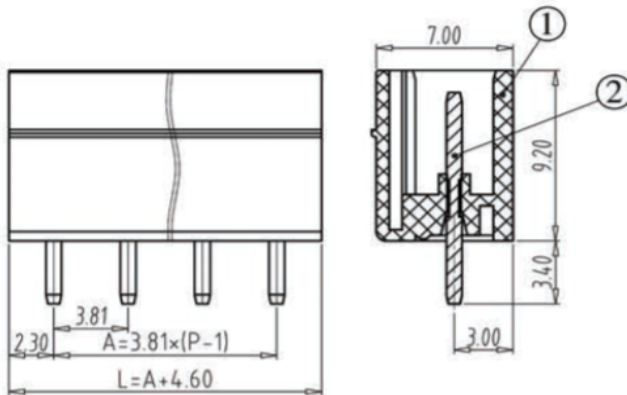


specification

1. Rated voltage and current: 300V 8A(CE)
2. Insulation Strength: AC1500V/MIN
3. Insulation Resistance: 500MΩ or more at DC500V
4. Operating Temperature: -40 /+105
5. Twisting force: 0.2N.m/Max
6. Wire size: 14-24AWG
7. Storage condition: Under 85% humidity at normal temperature, shelf life: 1 year.

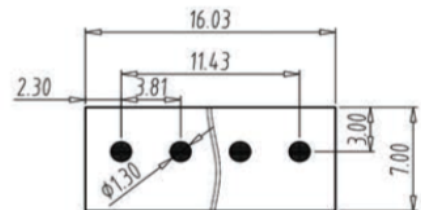
Materials and dimensions



| No. | Designation | Materials | Specification |
|-----|-------------|---------------|---------------------|
| 1 | HOUSING | PA66(UL94V-0) | |
| 2 | PIN | BRASS | EP-Cu/Cu1-2 Sn3-5um |

P.C.B

1. Wave soldering: the soldering temperature is 260C and the soldering time is 6 seconds at most
2. Hand soldering: 80W electric soldering and milling, about 400 times of soldering in 3 seconds



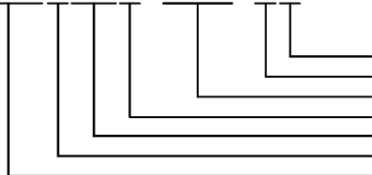
P.C.B. LAYOUT
● FOR PIN

Type selection

Insertion-withdrawal type(Receptacle)

Serial code Sequence code feature code Identifying code

ZBK200R-XXP-XS



Screw specification: s—charater
Colour code :X-(unspecified)
Qty of cables (XXP unspecified)
R. Inline direction and insertion Direction level
Serial number for specification classification
Spacing code: 2-3.81mm
ZB- Company Code , K-Insertion-withdrawal type(Plug)

Packaging:

Package size: 20.0×23.0 (cm)

SHENZHEN KINGHELM
ELECTRONIC CO., LTD.

WWW.BDS666.COM

KH-ZBF200V-3P-G

0755-83044319