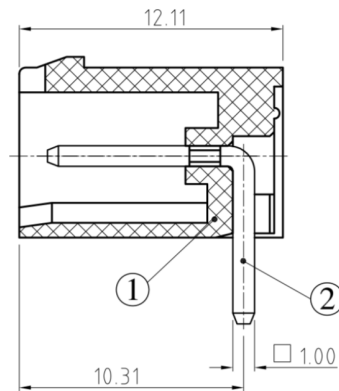
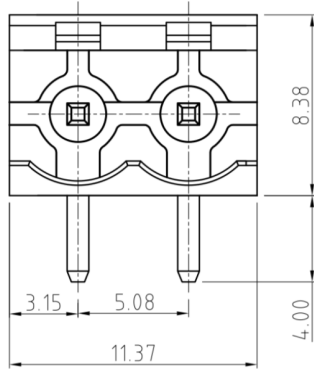


specification

1. Rated voltage and current: 300V 12A(CE)
2. Insulation Strength: AC2000V/MIN
3. Insulation Resistance: 500MΩ or more at DC500V
4. Operating Temperature: -40 /+105
5. Storage condition: Under 85% humidity at normal temperature, shelf life: 1 year.

Materials and dimensions



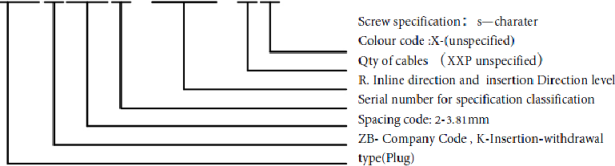
Use of recycled material ≤ 30%

No.	Designation	Materials	Specification
1	HOUSING	PA66(UL94V-0)	YELLOW
2	PIN	BRASS	EP-Cu/Cu1-2 Sn2-4um

Type selection

Insertion-withdrawal type(Receptacle)

Serial code    Sequence code    feature code    Identifying code  
**ZBK200R-XXP-XS**



Packaging:  
 Package size: 20.0×19.0 (cm)

SHENZHEN KINGHELM  
 ELECTRONIC CO., LTD.  
 KH-ZBF4000R-10P-5.08G

WWW.BDS666.COM  
 0755-83044319