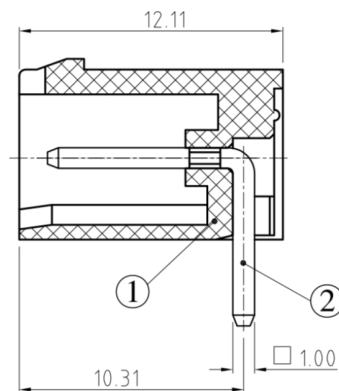
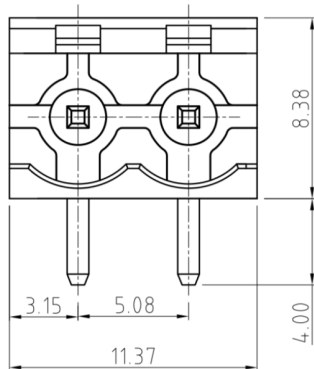


### specification

1. Rated voltage and current: 300V 12A(CE)
2. Insulation Strength: AC2000V/MIN
3. Insulation Resistance: 500MΩ or more at DC500V
4. Operating Temperature: -40 /+105
5. Storage condition: Under 85% humidity at normal temperature, shelf life: 1 year.

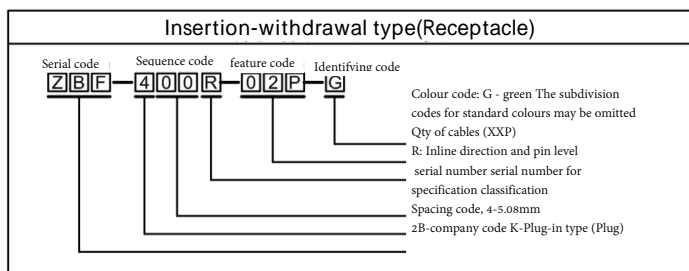
### Materials and dimensions



#Use of recycled material 30%

NO.	Designation	Materials	Specification
1	HOUSING	PA66(UL94V-0)	YELLOW
2	PIN	BRASS	EP-Cu/Cu1-2 Sn2-4um

### Type selection



**Packaging:**  
**Package size:** 20.0×19.0 (cm)

SHENZHEN KINGHELM ELECTRONIC CO., LTD.	<a href="http://www.bds666.com">www.bds666.com</a>
KH-ZBF4000R-8P-5.08G	0755-83044319